


PURASAN®

U.S. Coast Guard Certified Type I Marine Sanitation Device When Installed with an Atlantes, Crown Head or Crown Head II - Certification # 159.015/106/0

MAINTENANCE AND INSTALLATION INSTRUCTIONS

THE FOLLOWING ARE CAUTIONARY STATEMENTS THAT MUST BE READ AND FOLLOWED DURING BOTH INSTALLATION AND OPERATION

WARNING:  Raritan Engineering Company, Inc. recommends that a qualified person or electrician install this product. Equipment damage, injury to personnel or death could result from improper installation. Raritan Engineering Company, Inc. accepts no responsibility or liability for damage to equipment, or injury or death to personnel that may result from improper installation or operation of this product.

WARNING: HAZARD OF FIRE



Always use recommended fuse or circuit breaker and wire size.

WARNING: HAZARD OF FLOODING - When leaving the boat unattended always be sure seacocks are closed. Any installation made below waterline should have double hose clamps securing lines. The halogen disinfectant is corrosive to aluminum, copper and steel. The plumbing system must not include any aluminum, copper or steel fittings, piping or holding tanks.

IMPORTANT SAFETY INSTRUCTIONS FOR HANDLING PURASAN® TABLETS AND SOLUTION

WARNING: HAZARD OF DANGEROUS CHEMICAL REACTION



1. Use ONLY Purasan Tablets.
2. DO NOT add any other chemicals, Raritan concentrate or cleaning products to the toilet or the treatment system.

WARNING: HAZARD OF SEVERE INJURY



1. DO NOT allow tablets to come in contact with skin, eyes or clothing. If contact occurs immediately wash affected area with fresh water. Remove and wash any affected clothing.
2. Use a well ventilated area when handling Purasan Tablets. DO NOT breathe dust from tablets - severe damage to mucous membrane of the respiratory passages could occur.
3. Do not ingest.
4. Follow all cautions and warnings associated with handling of tablets.
5. When reloading the Tablet Dispenser, ventilate area well and wear chemical resistant protective gloves and eye protection.
6. DO NOT ATTEMPT TO REFILL EMPTY CARTRIDGES.

INTRODUCTION

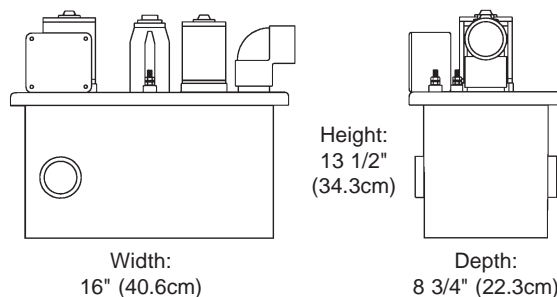
The Purasan is a U.S. Coast Guard Certified Type I Marine Sanitation Device for uninspected vessels less than 65 feet in length. It is designed and approved to treat waste for overboard discharge in areas that are not declared a No Discharge Zone by the U.S. Environmental Protection Agency. The Purasan provides flow-thru treatment of waste from Raritan's Atlantes, Crown Head II and Crown Head on 12, 24 or 32 V DC. The toilet macerates the waste and pumps it out. Intake water passes over Purasan tablets creating a halogen solution that mixes with and treats waste. Inside the treatment unit waste is further macerated and disinfection takes place.

Complete Systems: PST for use with Crown Head and Crown Head II; PST**-01 for use with Atlantes marine toilet. ** = voltage: 12, 24 or 32**

VDC. Examples: PST12 is a 12 volt unit for use with a Crown Head or Crown Head II. PST12-01 is a 12 volt unit for use with an Atlantes marine toilet.

1. **Switch Panel** - Portion of System (#41-350) - Begins the treatment cycle and indicates on/off. Can be utilized to flush an electric toilet.
2. **Treatment Unit** - Portion of System - this is only 1

PURASAN TREATMENT UNIT DIMENSIONS



component of the complete system (#42-1000 [12VDC], #43-1000 [24VDC] or #44-1000 [32VDC]) - Consists of two chambers which mix and macerate solids and treats waste.

3. **Tablet Dispenser** - Portion of System (#41-100) houses a **Tablet Cartridge** (#41-135). Cartridge is shipped separately.
4. **Control Cable** - Portion of System (#41-355) - 12' long (3.65m) cable that connects the Switch Panel to the Circuit Board Assembly on Treatment Unit.
5. **Toilet Adapter Kits** - Crown and Crown II (#41-251) or Atlantes (#41-252).

OPERATION

Depending on the type of toilet and the installation, use one of the following methods for operation.

Crown Head and Crown Head II:

1. Integral Activation: Press "Push to Cycle" switch on switch panel. This starts the Purasan and flushes toilet.
2. Independent Operation: Start Purasan by pressing "Push To Cycle" switch on switch panel. Then flush toilet independently.

Atlantes:

1. Integral Activation: Pressing the Atlantes flush lever (A5 models) or "Push to Flush" touch pad (A6 models) flushes the toilet and starts the Purasan Treatment Cycle, or press "Push to Cycle" switch on switch panel flushes the toilet and starts the Purasan Treatment Cycle.
2. Independent Operation: Start the Purasan by pressing "Push to Cycle" switch on the Switch Panel. Then flush toilet independently.

IMPORTANT: The toilet can be flushed more than once to clear the bowl if necessary, however, the treatment cycle must end before the next use. (The treatment cycle has ended when the two lights on the switch panel go off.) When the toilet is flushing, check that the water level in the tablet dispenser rises to the Water Level Line (see Fig. #5) on the side of the tablet dispenser.

MAINTENANCE

WARNING: Read and understand all safety instructions (including Material Safety Data sheet) for handling Purasan Tablets before proceeding with Maintenance, Replacing Tablet Cartridge, Winterization and Recommissioning.

Periodically (at least once a month) check tablet level in cartridge and check that all tubes to and from the tablet dispenser are unobstructed. Tablet dispenser and tubes are clear for easy visual inspection. Replace tablet cartridge only when completely empty. Replace tubes if any obstruction is found.

REPLACING TABLET CARTRIDGE (#41-135)

Removing used tablet cartridge - With adequate ventilation unscrew tablet dispenser lid and lift out used tablet cartridge. Rinse thoroughly with water to remove any residual tablet particles. Dispose empty cartridge with other recyclable plastics.

Loading new tablet cartridge in dispenser

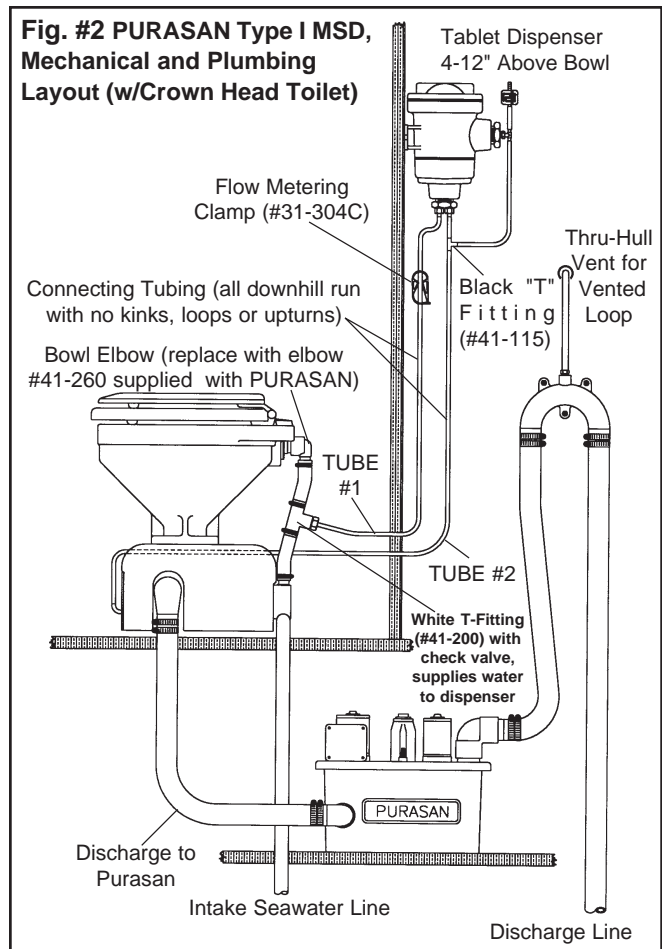
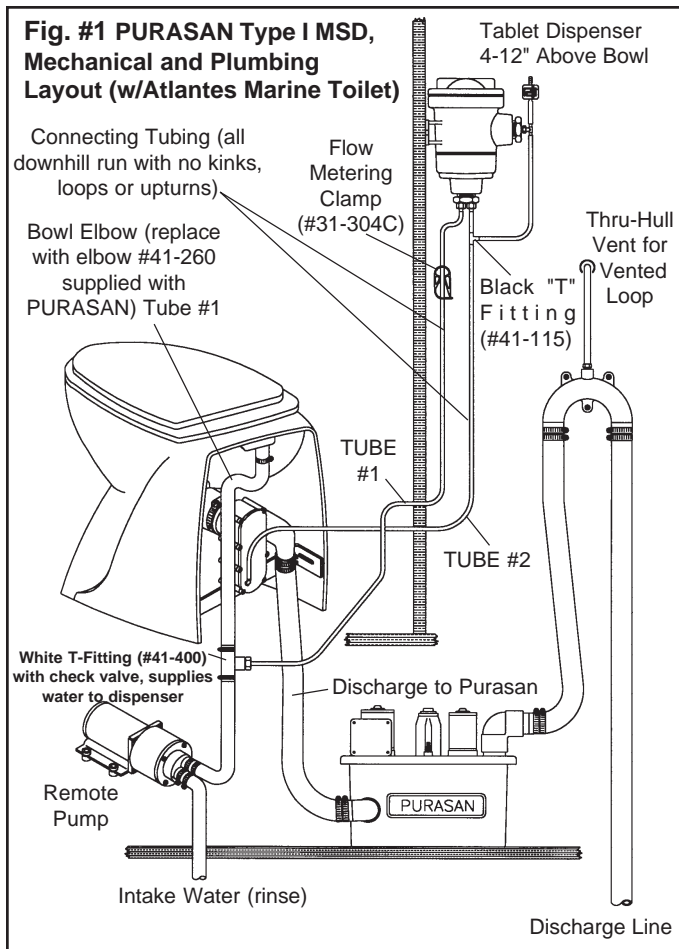
1. Hold new tablet cartridge over tablet dispenser with cap side down. Remove tablet cartridge cap and allow any loose tablet particles to drop into the tablet dispenser. Slide tablet cartridge down into tablet dispenser.
2. Cut nipple off tablet cartridge to create an air hole.
3. Replace lid on tablet dispenser.

CLEANING: Do not add any other chemicals or cleaning products to the toilet or the treatment system. Use only water for cleaning; the halogen solution will act as a cleaning agent.

WINTERIZING/STORAGE

Tablet Dispenser

1. Close flow metering clamp (#31-304C) to prevent intake water from entering tablet dispenser.
2. Flush out tank by activating toilet and treatment cycle several times; leaving only water in the treatment tank.
3. Carefully remove the small tube from the white "T" fitting (#41-200) (Tube #1 in Figs. #1 and #2). Drain tube into a clean plastic container.
4. Carefully remove the small tube at the bottom of the black "T" fitting (#41-115) (Tube #2 in Figs. #1 and #2). Drain tube into container.
5. Connect Tube #1 to bottom of black "T" fitting (#41-115) to minimize fumes and dripping.
6. Connect Tube #2 to white "T" fitting (#41-200).
7. Take solution collected in container and pour into toilet bowl. Do not splash or spill. Rinse container with water to remove any residual particles, pour rinse water into toilet and dispose of container in the trash.
8. Flush toilet several more times to dilute solution poured into the bowl.



Treatment Unit

WARNING: Do Not use antifreeze to winterize the Purasan system.

1. Disconnect power to Purasan and ensure that it remains off for winter lay-up.
2. Close intake and discharge seacocks.
3. Drain water from system. Using a pump, remove water from Treatment Unit through crossover plug, #31-104C (see exploded parts view, page 10, item 25).

TIP: If tank is at lowest point in plumbing system, you may have to remove enough water from system to prevent water from spilling from Treatment Tank when crossover plug is removed.

4. Disconnect hoses and drain.

Toilet - Follow the instructions in the owner's manual.
IMPORTANT: If toilet requires antifreeze or other chemicals for winterizing, do not allow these chemicals to enter the Purasan system.

RECOMMISSIONING

WARNING

- Make sure all hoses are connected properly.
- Do not activate the Purasan until the treatment

tank/unit is filled with water.

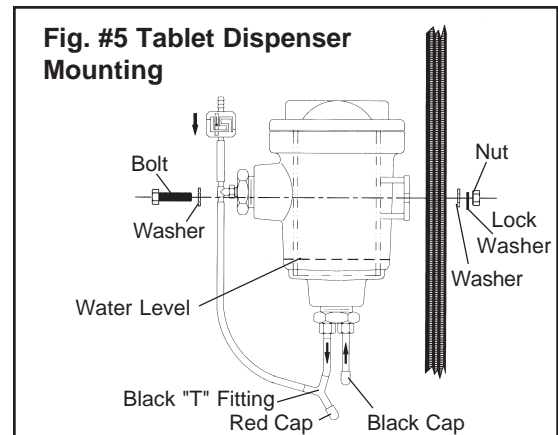
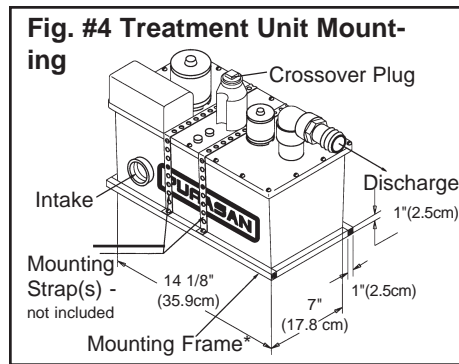
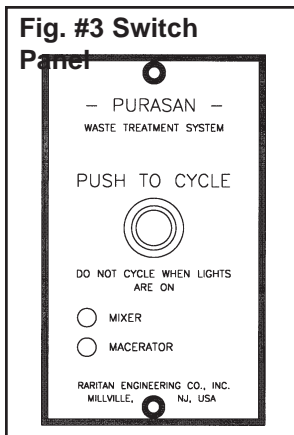
- If antifreeze or other chemicals were used to winterize toilet, remove these chemicals from system before reconnecting toilet to Purasan.

1. Recommission toilet and connect plumbing to Purasan.

IMPORTANT: Do Not connect Tablet Dispenser at this time.

2. Fill system with water. If toilet is flushed by pressing "Push to Cycle" button on Purasan Switch Panel (Integral Activation):
 - a. Remove crossover plug, #31-104C (see exploded parts view, page 10, item 25), from Treatment Unit and fill with water. A minimum of three gallons (11.5 liters) will be needed.
 - b. Replace crossover plug (#31-104C) and O-Ring (#31-105).
 - c. Open seacocks.
 - d. Turn on power to Purasan.
 - e. Flush toilet several times to fill system with water.
 - f. Check for leaks.

If a separate switch is used to flush the toilet



(Independent Activation):

- a. Open seacocks.
 - b. Flush toilet several times to fill system with water.
 - c. Check for leaks.
 - d. Turn on power to Purasan.
3. Reconnecting the Tablet Dispenser.

IMPORTANT

- **Make sure everything is working properly before proceeding.**
- **These instructions are the reverse operation outlined in winterizing the Tablet Dispenser, steps 3 through 6.**
 - a. Remove small tube (Tube #1 - Figs. #1 and #2) from the bottom of the black "T" fitting (#41-115) at bottom of Tablet Dispenser.
 - b. Remove small tube (Tube #2 - Figs. #1 and #2) connected to white "T" fitting (#41-200) and connect it to small black "T" fitting (#41-115) at bottom of Tablet Dispenser.
 - c. Connect small tube, removed in step 1, to white "T" fitting (#41-200).
 - d. Follow **Start-Up** procedure (steps 4, 5, and 6) for rest of Recommissioning Procedure.

INSTALLATION

IMPORTANT; For below waterline installations see the warning at the beginning of Plumbing Instructions.

A. Switch Panel - Mounting (Fig. #3)

1. Locate Switch Panel (#41-350), in head compartment where it will be convenient for operation and the indicator lights will be visible.

NOTE: Locate in an area where the Cable can be routed to the Switch Panel. Cable (#41-355) length is 12' (3.65m).

2. Using template provided (See back page), mark cutout for panel. Cut out only hatched area and

drill mounting holes (3/32" [2.4mm] drill).

3. Route cable (#41-355) from Switch Panel to where Treatment Tank will be mounted. Secure Cable every 18" (45.7cm). Do not damage insulation.
4. Connect Cable to Switch Panel (see Wiring section Fig. #8 or Fig. #9).
5. Secure Switch Panel with screws (#F087).

B. Treatment Unit - Mounting (Fig. #4)

1. Location:
 - a. Locate unit so its discharge elbow is lower than discharge of toilet. Unit must also be mounted on a solid, flat deck surface within six feet (1.85m) of toilet.
 - b. DO NOT locate in an area where ambient temperature will exceed 120° F. (49° C).
2. Secure:
 - a. Make a mounting frame following Fig. #4.
 - b. Secure frame to deck using suitable fasteners.
 - c. Use 3/4" (1.9 cm) mounting straps to secure unit to frame. A rubber pad under the tank will help reduce vibration and noise.

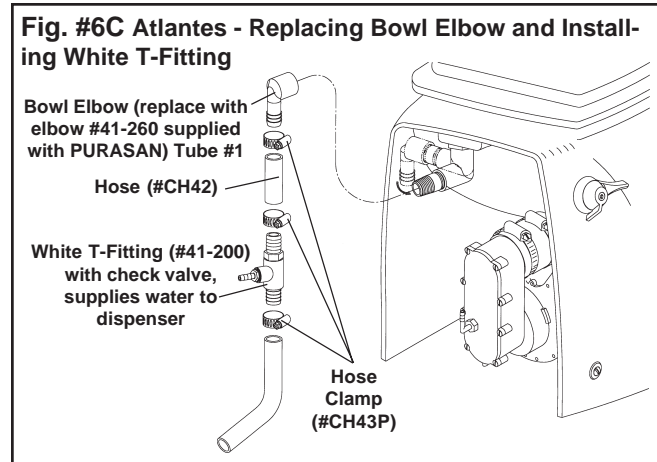
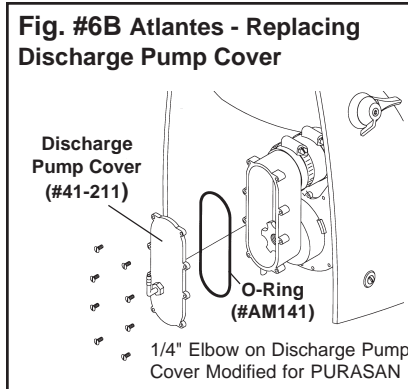
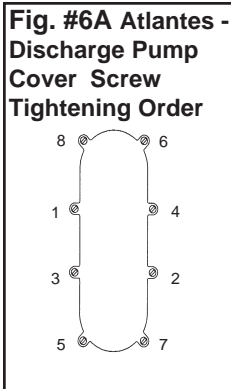
C. Purasan Tablet Dispenser - Mounting (Fig. #5)

1. Locate Tablet Dispenser so its bottom is 4" - 12" (10-30cm) above the top of the bowl and have clearance (minimum of 8" [20cm]) above Tablet Dispenser for changing Tablet Cartridge.
2. Locate Tablet Dispenser where it will be easily accessible and the water level can be observed during flushing. **NOTE: Tubing that connects Tablet Dispenser to toilet is 6' (1.8m) in length.**
3. Attach to wall or suitable structure using 1/4" (6mm) bolt (Fig. #5).

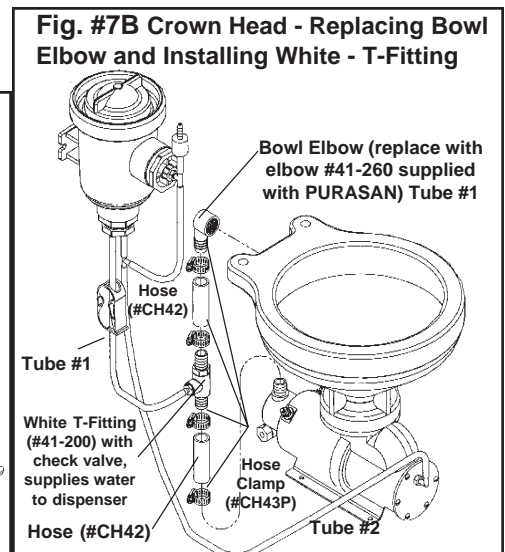
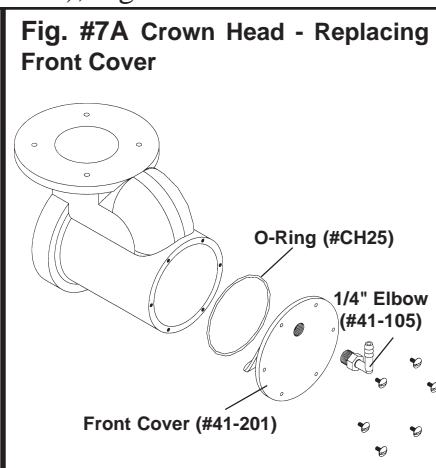
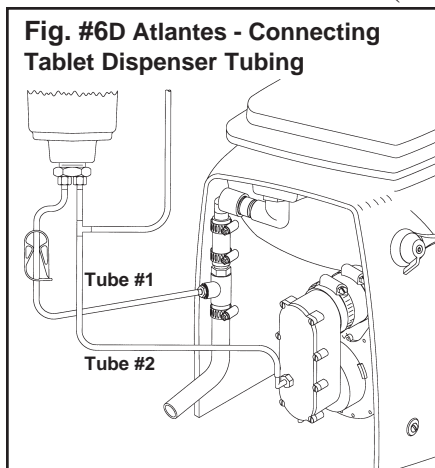
IMPORTANT: Do not load Tablet Cartridge into Tablet Dispenser at this time. Load Tablet Cartridge after completing Start Up procedure.

D. Toilet Connections:

Atlantes (Figs #1, #6A, #6B, #6C and #6D):



1. Turn off power to toilet.
2. Close intake and discharge seacocks and drain water from toilet system.
3. Slide toilet forward to gain access to back of toilet.
4. Disconnect intake hose from bowl elbow.
5. Remove existing bowl elbow.
6. Remove existing discharge pump cover from toilet.
7. Install new O-Ring (#AM141) on the new discharge pump cover (#41-211).
8. Install new discharge pump cover (#41-211). Tighten screws as shown. Do not over tighten. See Figs. #6A and #6B.
9. Install new bowl elbow (#41-260), Fig. #6C.



10. Install a 4" length (10.2cm) of 3/4" white hose (#CH42) to new bowl elbow (#41-260) using one hose clamp (#CH43P), Fig. #6C.
 11. Install White "T" Fitting (#41-200) to the hose using the other hose clamp.
 12. Reattach intake hose, removed in step 4, to the White "T" Fitting (#41-200).
- TIP:** Do not set the toilet back in place until system is operational and checked for leaks.
Discard any deodorant systems presently being used.

Crown Head and Crown Head II (Figs. #2, #7A and #7B):

1. Turn off power to toilet.
2. Close intake and discharge seacocks and drain water from toilet system.
3. Remove shroud from base of toilet.
4. Crown Head toilets - remove hose from intake pump to bowl elbow.
Crown Head II toilets - disconnect intake hose from bowl elbow.
5. Remove existing bowl elbow.
6. Remove existing front cover (Fig. #7A).
7. Install new bowl elbow (#41-260). See Fig. #7B.
8. Install one of the 4" lengths of hose (#CH42) to new bowl elbow (#41-260) using one of the hose clamps (#CH43P) - provided.
9. Install White "T" Fitting (#41-200) to the hose using the other hose clamp.
10. Crown Head toilets: Attach the second of the 4" lengths of hose to White "T" Fitting and the other end to the intake pump.
Crown Head II toilets: Reattach intake hose, removed in step 4, to White "T" Fitting.

11. Install new O-Ring (#CH25) on new front cover (#41-201). See Fig. #7A.
 12. Install 1/4" elbow (#41-105) into front cover (#41-201).
 13. Install new front cover (#41-201). See Fig. #7A.
- TIP: Do not reinstall the Crown Head II toilet shroud until system is operational and checked for leaks.

PLUMBING

WARNING: Hazard of flooding. Below waterline installations must include a vented loop with the top of loop above the waterline at maximum heel to prevent back siphoning. See toilet and vented loop manufacturers instructions for installation requirements including the installation height above waterline. See Figs. #1 and #2. Double clamp all hose fittings below waterline.

Treatment Tank:

Use only high quality, smooth interior 1 1/2" (38mm) I.D. sanitation hose to avoid odor problems, available from Raritan by the foot (#SH), when connecting toilet to Treatment Unit. **DO NOT USE METAL PIPE OR WIRE REINFORCED HOSE.**

1. Apply nonpermanent thread sealing compound or tape to screw-in hose fitting (31-121) and intake plug (#31-122).
2. Screw one hose fitting (#31-121) into discharge elbow (#31-120).
3. Screw other hose fitting (#31-121) into one of the intake ports at the side of Treatment Unit.
4. Screw intake plug (#31-122) into intake port that will not be used.
5. Glue Discharge Elbow (#31-120) to discharge port at the top of Treatment Unit with PVC cement and allow to set.

IMPORTANT: Be certain the discharge elbow is in the correct position before gluing.

6. Connect discharge hose from toilet to intake port on the side of Treatment Unit.
7. Connect hose from discharge port at the top of Treatment Unit through a vented loop to the holding tank or thru hull fitting (Figs. #1 or #2).

IMPORTANT: A vented loop must be installed between the Purasan Treatment Unit and the thru hull fitting to protect against back siphoning and maintain residual water in the toilet bowl for cleaning. The minimum height of the vented loop

must be above the waterline at the greatest angle of heel or at a height equal to the top of the toilet, whichever ever is greater.

Tablet Dispenser:

IMPORTANT: 1/4" Tube #2 (Figs. #1 and #2) must be a downward run to toilet with no loops, kinks or upward turns.

1. Connect 1/4" tubing from the installed Atlantes Discharge Pump Cover (#41-211) or Crown Head Front Cover (#41-201) to black "T" fitting (#41-115) with the red cap on the Tablet Dispenser (Tube #2, Figs. #1, #2 and #5).
2. Slide flow metering clamp onto remaining piece of tubing (Tube #1). See Figs. #1 and #2.
3. Install tubing with flow metering clamp on 1/4" nipple on white "T" fitting (#41-200) and the intake of the Tablet Dispenser (black cap). See Figs. #1, #2 and #5.

WIRING

WARNING: Hazard of electrical shock and fire.

- Turn power off before proceeding
- Use only recommended conductor wire gauge and fuse/circuit breaker - see Specifications Table 1.

NOTE: Raritan recommends that the electric toilet be installed for single touch operation. ATLANTES INSTALLATIONS: Flush lever or touch pad activates the Purasan when the toilet is flushed or the switch panel flushes the Atlantes and activates the Purasan. CROWN HEAD II AND CROWN HEAD INSTALLATIONS: The Switch Panel flushes the toilet and activates the Purasan. See Dual Installations section for two toilets.

A. Switch Panel (#41-350)

Wire switch panel cable to Circuit Board located on Purasan Treatment Unit (Fig. #8 and #9).

B. Toilet Wiring

Atlantes:

- a. To activate Purasan when toilet is flushed by pressing the flush handle (Atlantes A5 model) or the Atlantes Wall Switch Touch Pad (Atlantes A6 Model). Use 16 AWG (1.5mm²) wire, connect yellow wire located in the back of Atlantes to

Purasan Circuit Board terminal S2 (Fig. #9).

- b. To flush toilet (Atlantes A5 or A6 Model) by pressing "Push to Cycle" button on Purasan Switch Panel, use 16 AWG (1.5mm²) wire to connect purple wire located in the back of Atlantes to Purasan Circuit Board terminal S3 (Fig. #9).

Crown Head and Crown Head II: Installation of a solenoid/relay is required.

CAUTION: Use only a solenoid/relay with an isolated coil such as the Raritan #CDS* (failure to do so will damage Circuit Board).

Run 16 AWG (1.5mm²) wire from terminal H1 on Circuit Board to one of the relay terminals. Run a wire from the other relay terminal to Positive supply from battery. Install a 3 amp fuse in positive wire (Fig. #8).

C. Treatment Unit

1. Be sure wires from Switch Panel are correctly wired according to Figs. #8 and #9.
2. Determine proper size wire and fuse/breaker needed from Specification Table 1.
3. Wire Purasan Treatment Unit following Figs. #8 and #9.

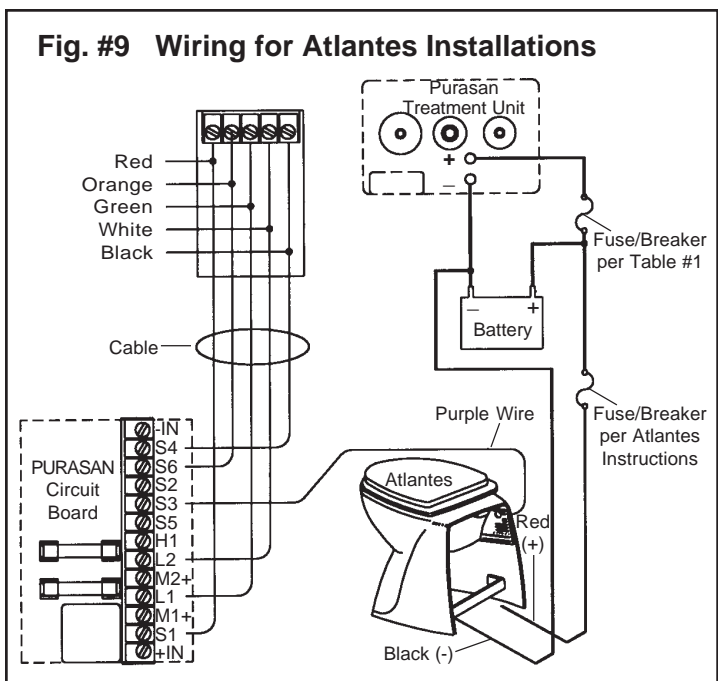
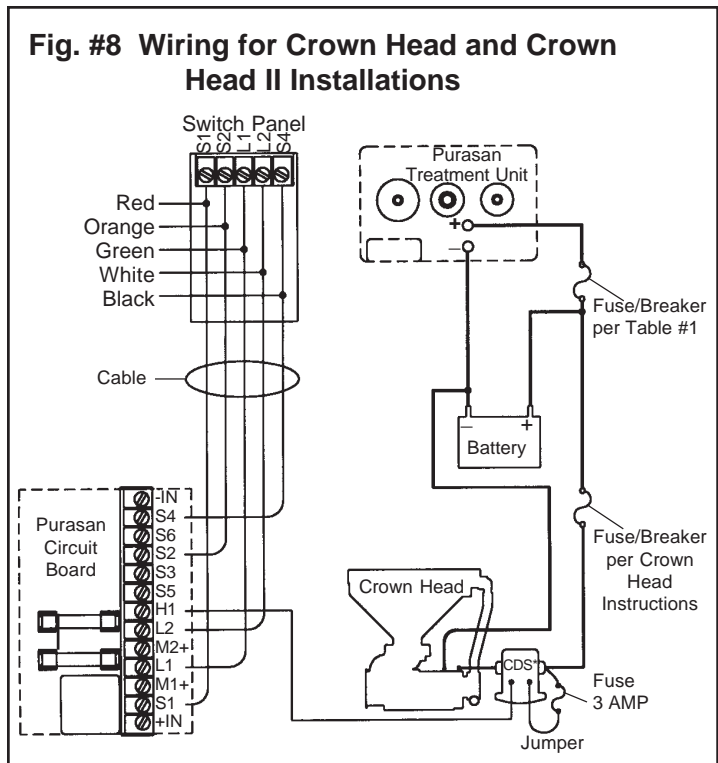
START UP

IMPORTANT:

- **Do not load Tablet Cartridge into Dispenser until system is powered and operational.**
- **Do Not Operate Purasan unless Treatment Unit is filled with water.**

1. Remove Crossover Plug (#31-104C) from Treatment Unit tower. Pour 3 gallons (11.5 liters) of water into Treatment Unit. Replace Crossover Plug (#31-104C) and O-Ring (#31-105).
2. Open seacocks.
3. Turn on power to unit.
4. Fill toilet bowl half full with water from a bucket before beginning.
5. Close metering clamp completely, then open slightly.
6. Flush toilet. Check water level in Tablet Dispenser during flush cycle. Water level should rise to waterline on Tablet Dispenser while toilet is flushed, then drain out.

* Specify Voltage (12, 24 and 32V DC)



INSTALLING AND OPERATING TWO TOILETS WITH A PURASAN® (Dual Installation)

7. Adjust clamp until water reaches the line; opening clamp allows more water into Tablet Dispenser. Flush toilet each time clamp adjustment is changed to be sure water continues to be at the proper level.
8. Load Tablet Cartridge (see Replacing Purasan Tablet Cartridge).

A Purasan can be connected to two toilets within six feet (1.85 meters) of the Treatment Unit to reduce pressure requirements of moving waste through the system and to decrease the possibility of untreated sewage remaining in the lines. In addition a Purasan Dual Control (#PSTDC for Crown Head and Crown Head II or #PSTDC-01 for Atlantes) will be needed.

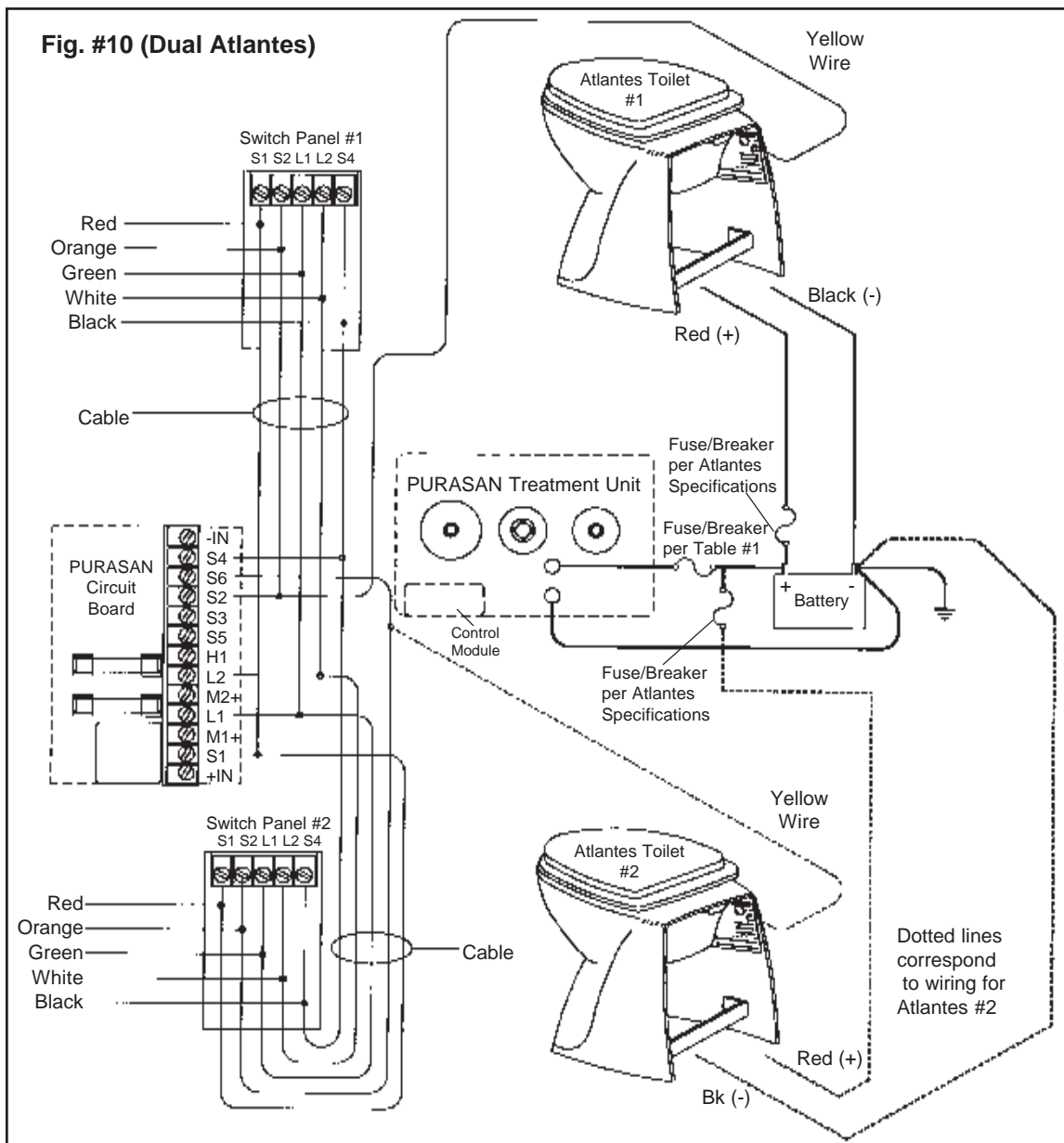
Purasan Dual Control contains the following components necessary for second toilet installation:

1. Switch Panel Complete (#41-350)
2. Tablet Dispenser Complete (#41-100) with tubing
3. Tablet Cartridge (#41-135)
4. Control Cable (#41-355)
5. Toilet Adapter Kits: Crown and Crown II (#41-251) or Atlantes (#41-252).
6. White T-Fitting (#41-200)

IMPORTANT: A solenoid relay (#CDS*) and separate push button switch are required for each Crown Head or Crown Head II toilet.

SYSTEM COMPONENTS

* Specify Voltage (12, 24 and 32 VDC)



Second toilet installation procedure will be much the same as the first with the following exceptions:

PLUMBING

Install hose fitting (#31-121) into second Intake Port on the side of Treatment Tank instead of the Intake Plug (#31-122).

WIRING

Crown Head and Crown Head II:

IMPORTANT : Integral Activation can not be utilized as outlined in single toilet installations. Dual toilet installations require that the toilets be flushed independent of the Purasan (Fig. #11).

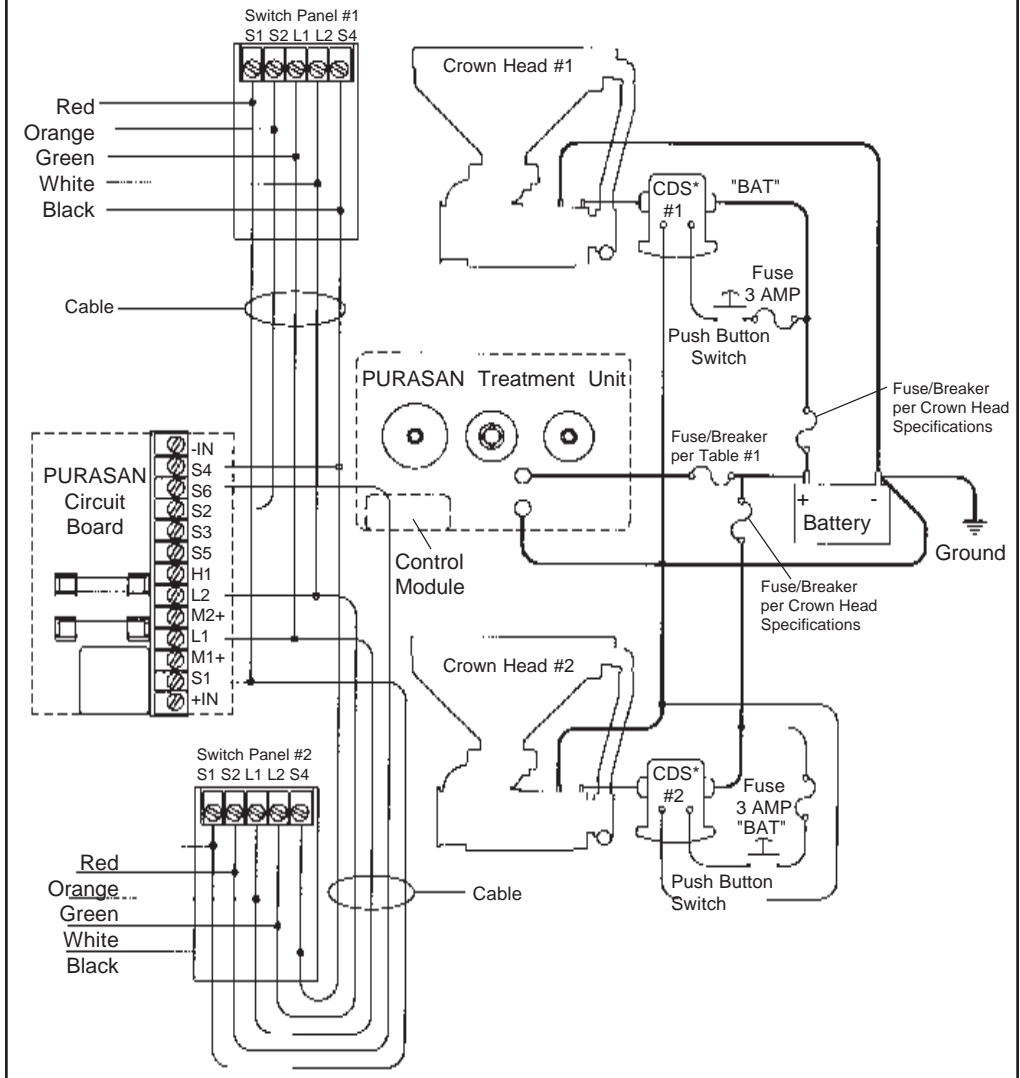
Atlantes: Wire as per Fig. #10.

OPERATION

IMPORTANT: Do Not flush toilet if Purasan has been activated from the other toilet (lights on Switch Panel will be on if system is in use). Wait until cycle has ended before flushing.

ATLANTES: Pressing flush lever or touch pad will flush the toilet and start the Purasan.

Fig. #11 (Dual Crown Head)

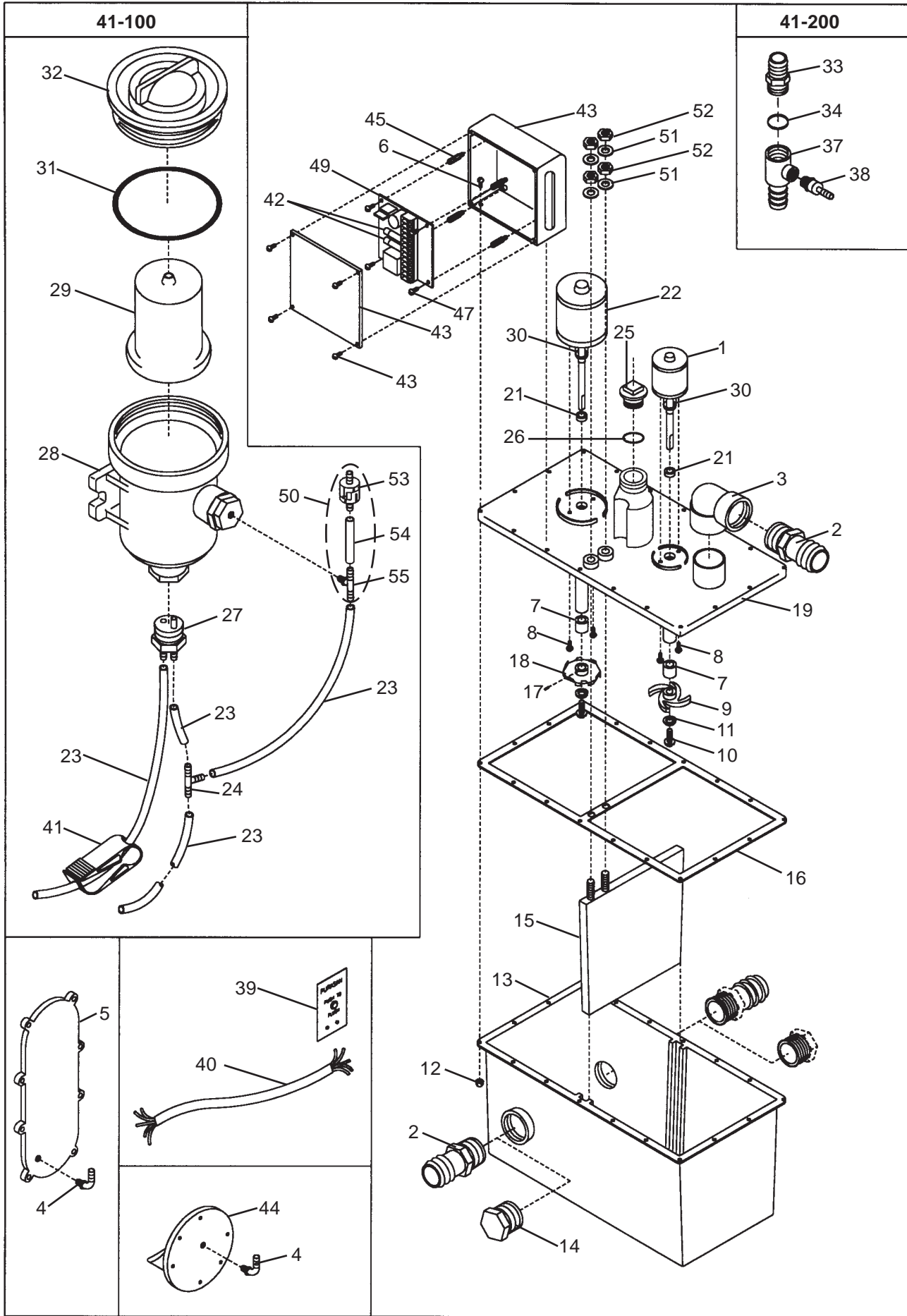


CROWN HEAD AND CROWN HEAD II: Press "Push to Cycle" (yellow switch) on Switch Panel to start Purasan system. Flush toilet.

TROUBLESHOOTING

WARNING: Once the Tablet dispenser is filled with water it contains a very strong halogen solution, always use protective gloves and ventilate area well to work on tablet dispenser. Before doing any maintenance or repairs, follow WINTERIZING/STORAGE, Procedures #1 - #8.

PROBLEM	POSSIBLE CAUSE	CORRECTION
1. No water to tablet dispenser	1a.Clogged check valve (T Fitting #41-200) 1b.Clogged intake fitting to dispenser 1c. Intake pump problem 1d.Intake tubing clogged.	1a.Clean or replace check valve 1b.Clean or replace intake plug assembly 1c. See Crown Head, Crown Head II or Atlantes manual. 1d.Clean line.
2. Overflow/water level too high in tablet dispenser	2a.Metering clamp not adjusted properly 2b.Clogged discharge fitting in tablet dispenser 2c.Fitting to front cover clogged 2d. Clogged or defective check valve (#41-111)	2a.Adjust clamp (see start up) 2b.Clean or replace plug assembly 2c.Clean or replace fitting on front cover 2d. Clean or replace
3. Nothing happens when button is pushed (lights OFF)	3a.Fuses blown 3b.Switch panel bad	3a.Check fuses 3b.Replace switch panel



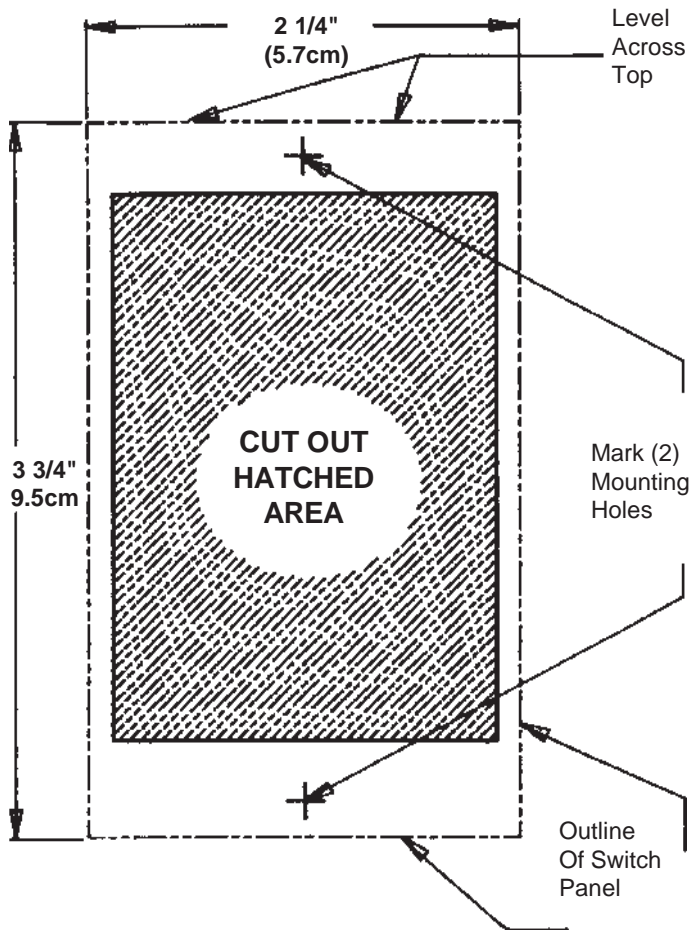


TABLE #1 - SPECIFICATIONS

ELECTRICAL:							
Voltage Nominal	12VDC	24VDC	32VDC				
Voltage Minimal	11.5V	23V	30.5V				
Power	.3 amp hr	.3 amp hr.	.3 amp hr.				
Current	10 A	8 A	8 A				
Fuse/Brkr	20A	15A	15A				
Max Amperage:							
Solid Reduction Motor	5	4	4				
Fuse 2; Type MDL	12	6 1/4	5				
Mixer Motor amp	5	4	4				
Fuse 1; Type MDL	6 1/4	6 1/4	5				
WIRE SIZES:							
	Distance from source to unit and back to source [feet (m)]						
UNITS	10'(3.1)	15'(4.6)	20'(6.1)	25'(7.2)	30'(9.2)	40'(12.2)	50'(15.2)
Voltage	Minimum recommended conductor wire AWG (mm ²) for 3% voltage drop						
12	12(4.0)	12(4.0)	10(6.0)	10(6.0)	10(6.0)	8(10.0)	6(16.0)
24	14(2.5)	14(2.5)	14(2.5)	12(4.0)	12(4.0)	10(6.0)	10(6.0)
32	14(2.5)	14(2.5)	14(2.5)	14(2.5)	14(2.5)	12(4.0)	12(4.0)
NOTE: Recommended conductor sizes based on 105°C rated insulation. Refer to ABYC Standards for other insulation ratings.							
ENVIRONMENT: Max. Ambient Temp. - 120° F - 49° C							
Water - Fresh, Brackish or salt							
DESIGN CAPACITY: 576 gallons/day							
MSD TYPE: Type I, U.S.C.G. certified for vessels < 65' For inspected vessel, contact factory.							

LIMITED WARRANTY

Raritan Engineering Company warrants to the original purchaser that this product is free of defects in materials or workmanship for a period of one year from the product's date of purchase. Should this product prove defective by reason of improper workmanship and/or materials within the warranty period, Raritan shall, at its sole option, repair or replace the product.

1. TO OBTAIN WARRANTY SERVICE, Consumer must deliver the product prepaid, together with a detailed description of the problem, to Raritan at 530 Orange St., Millville, N.J. 08332, or 3101 SW 2nd Ave. Ft. Lauderdale, FL 33315. When requesting warranty service, purchaser must present a sales slip or other document which establishes proof of purchase. THE RETURN OF THE OWNER REGISTRATION CARD IS NOT A CONDITION PRECEDENT OF WARRANTY COVERAGE. However, please complete and return the owner Registration Card so that Raritan can contact you should a question of safety arise which could affect you.
2. THIS WARRANTY DOES NOT COVER defects caused by modifications, alterations, repairs or service of this product by anyone other than Raritan; defects in materials or workmanship supplied by others in the process of installation of this product; defects caused by installation of this product other than in accordance with the manufacturer's recommended installation instructions or standard industry procedures; physical abuse to, or misuse of, this product. This warranty also does not cover damages to equipment caused by fire, flood, external water, excessive corrosion or Act of God.
3. ANY EXPRESS WARRANTY NOT PROVIDED HEREIN, AND ANY REMEDY FOR BREACH OF CONTRACT WHICH BUT FOR THIS PROVISION MIGHT ARISE BY IMPLICATION OR OPERATION OF LAW, IS HEREBY EXCLUDED AND DISCLAIMED. ALL IMPLIED WARRANTIES SUCH AS THOSE OF MERCHANTABILITY AND OF FITNESS FOR A PARTICULAR PURPOSE, IF APPLICABLE, AS WELL AS ANY IMPLIED WARRANTIES WHICH MIGHT ARISE BY IMPLICATION OF LAW, ARE EXPRESSLY LIMITED TO A TERM OF ONE YEAR. SOME STATES DO NOT ALLOW LIMITATIONS ON HOW LONG A LIMITED WARRANTY LASTS, SO THE ABOVE LIMITATION MAY NOT APPLY TO YOU.
4. UNDER NO CIRCUMSTANCES SHALL RARITAN BE LIABLE TO PURCHASER OR ANY OTHER PERSONS FOR ANY SPECIAL OR CONSEQUENTIAL DAMAGES, WHETHER ARISING OUT OF BREACH OF WARRANTY, BREACH OF CONTRACT, OR OTHERWISE. SOME STATES DO NOT ALLOW THE EXCLUSION OR LIMITATION OF INCIDENTAL OR CONSEQUENTIAL DAMAGES, SO THE ABOVE LIMITATION OR EXCLUSION MAY NOT APPLY TO YOU.
5. No other person or entity is authorized to make any express warranty, promise or affirmation of fact or to assume any other liability on behalf of Raritan in connection with its products except as specifically set forth in this warranty.
6. This warranty gives you specific legal rights, and you may also have other rights which vary from state to state.

<p>RARITAN Engineering Company, Inc.</p>	530 Orange Street, P.O. Box 1157, Millville, NJ 08332 USA	
	Telephone: 856-825-4900	FAX: 856-825-4409
	www.raritaneng.com	
	Southern Office and Plant:	
	3101 SW Second Ave., Fort Lauderdale, FL 33315 USA	
	Telephone: 954-525-0378	FAX: 954-764-4370