

FOUR GALLON SALT FEED SYSTEM WITH PUMP

(Part #32-3003 [12 VDC] or #33-3003 [24 VDC])

Installation and Maintenance Instructions

THE FOLLOWING ARE CAUTIONARY STATEMENTS THAT MUST BE READ AND FOLLOWED DURING BOTH INSTALLATION AND OPERATION

WARNING: *Raritan Engineering Company, Inc. recommends that a qualified person or technician install this product. Equipment damage, injury to personnel or death could result from improper installation. Raritan Engineering Company, Inc. accepts no responsibility or liability for damage to equipment, or injury or death to personnel, that may result from improper installation or operation of this product.*



WARNING: Hazard of Electrical Shock.



INTRODUCTION

The Four Gallon Salt Feed System with Pump is designed for boats that operate in fresh or brackish water and can only be used with the Lectra/San[®] MC[™] or *electro-scan*[™] Type I MSD's. Salinity is monitored by the unit's Control Panel and salt solution will automatically be added to the Lectra/San when needed.

Pressurized freshwater is required. Minimum of 15 psi (103 kPa) working pressure.

Additional parts included: Heat sink for transistor (Fig. #4), strapping for tank and salt feed pump cable with terminals.

Additional parts required: Mounting hardware, shutoff valve, plumbing fittings, 1/2" (12.7mm) hose for pressurized water and 3/4" (19mm) hose for overflow.

OPERATION

Solar salt is added directly to the tank. Water supplied by the boats pressurized freshwater maintains the water level in the tank and continues to make saturated salt solution from the solar salt. A pump is used to add salt solution directly into the treatment tank when needed. The pump is controlled by the circuit board that monitors the electrode current in the treatment tank and automatically turns on the pump when salt is required.

When the slow blink-extended cycle light (amber on Lectra/San MC; red on electro-scan) is on and blinking (one blink per second) for an extended period, during the normal treatment cycle, check the salt feed system

Lectra/San[®] is a trademark of Exceltec.

LST/MC[™] and electro-scan[™] are trademarks of Raritan Engineering Co., Inc.

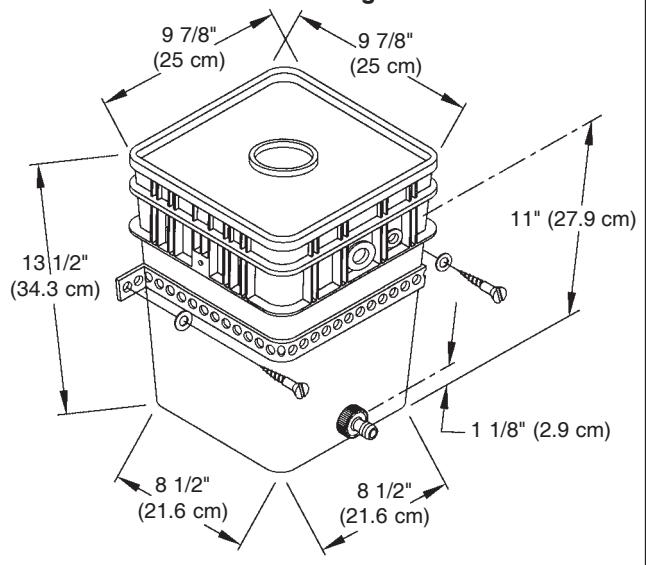
to see if more solar salt is needed. On the electro-scan, the LCD display will also display a warning that system amps are low.

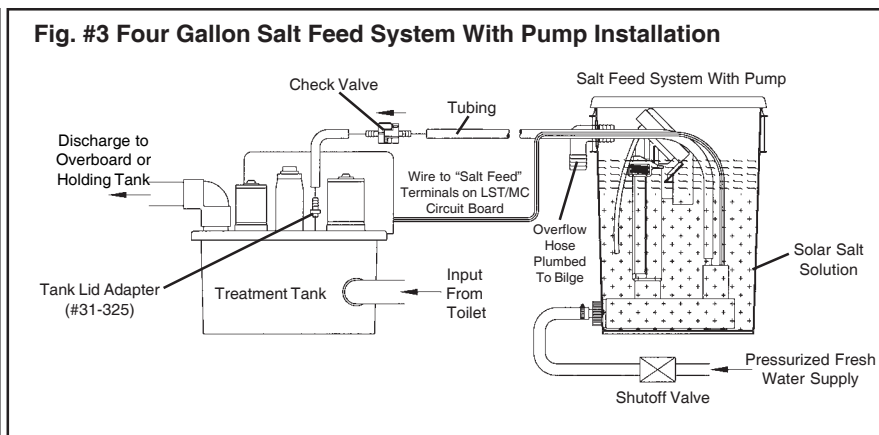
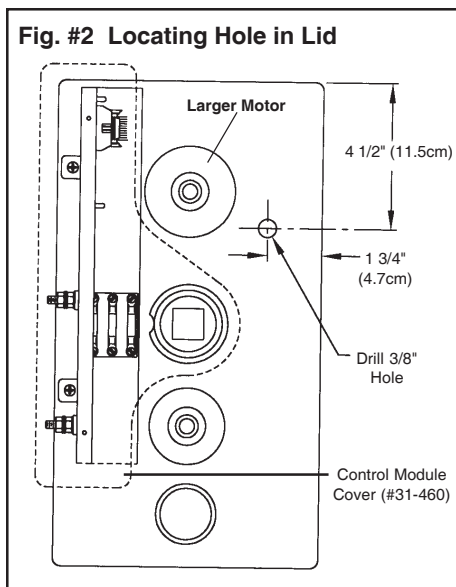
Refilling salt in the system: Add up to 10 lbs. (4.5kg) of solar salt directly into the tank. Some water may be displaced through the overflow tube. The water level will drop back to its normal level after a few uses.

WINTERIZING

1. Rinse tank thoroughly with freshwater and wipe out tank.
2. Shut off pressurized freshwater, disconnect and drain pressurized freshwater line.
3. Rinse salt feed pump, tubing and check valve thoroughly with freshwater.

Fig. #1 Four Gallon Salt Feed System Dimensions and Mounting





INSTALLATION/MOUNTING

Locate salt feed system within twelve feet (3.6 m) of and on the same level or lower than treatment tank. Make sure tank is accessible for refilling. Secure salt feed tank (Fig. #1).

PLUMBING

1. Drain and empty treatment tank for an existing system. If new system, perform following steps before installing treatment tank.
2. Drill a 3/8" hole in treatment tank lid (Fig. #2).
3. Glue tank lid adapter (#31-325) in 3/8" hole drilled in treatment tank lid using PVC cement per PVC cement instructions.
4. Remove lid from salt feed tank by pulling sides of lid up.
5. Remove packaging insert and unwrap salt feed pump.
6. Place salt feed pump in hole at the end of mounting adapter located at the bottom of salt feed tank (Fig. #5).
7. Install tubing from salt feed tank to check Valve and to fitting on the Lectra/San treatment tank lid. Be sure arrow on check valve points toward the treatment tank (Fig. #3).
8. Install overflow hose to bilge.

9. Connect pressurized freshwater with a shutoff valve to the barbed nipple at the bottom of the tank (Fig. #3).
10. Turn on water and check for leaks.
11. Fill tank with solar salt.

WIRING

WARNING: Hazard of Electrical Shock. Disconnect Power at source before proceeding.

A. Lectra/San MC only:

1. Remove control module cover (#31-460) from treatment tank.
2. Install heat sink (#EHST0220) on transistor (Q7) located on the circuit board (Fig. #4), making sure that the heat sink is not contacting any other component. The heat sink fits in only one position.

IMPORTANT:

- A. Do Not use excessive force when installing the Heat Sink.**
 - B. Some components of the circuit board are sensitive to static discharge. Proceed using care and observing antistatic precautions such as grounding straps on wrist and touching ground frequently to discharge body static.**
3. Connect salt feed pump cable to LST/MC circuit board (Fig. #4). Connect red wire to terminal U14 and black wire to terminal U15.
 4. Replace control module cover and reconnect electrical power.

B. electro-scan only:

1. Open cover of electro-scan control unit and connect one of the pump wires to the connection marked "Salt Feed" and the other pump wire to the connection next to it, marked "NEG." The pump is not polarity-sensitive, so it makes no difference which wire goes to which connection.

START UP

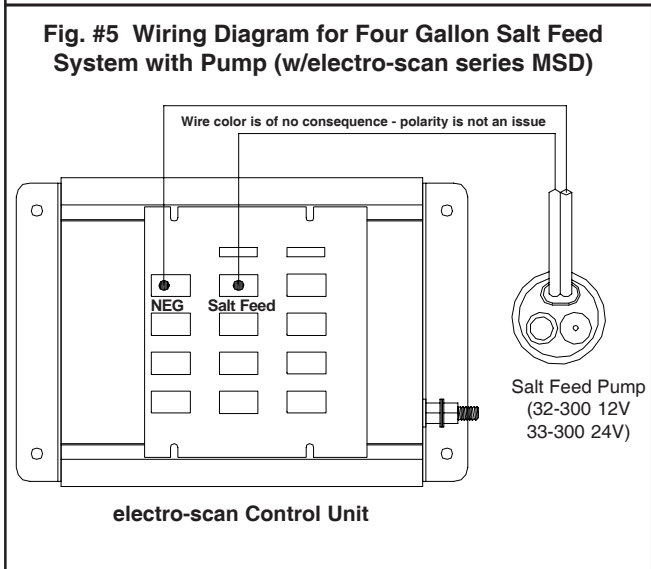
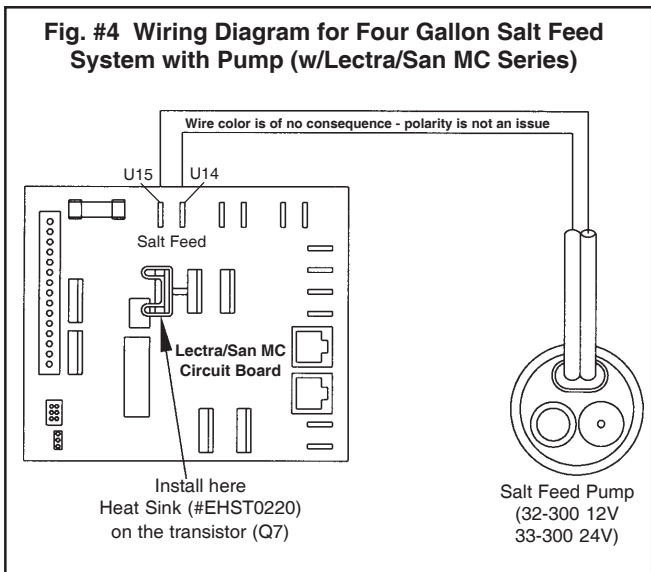
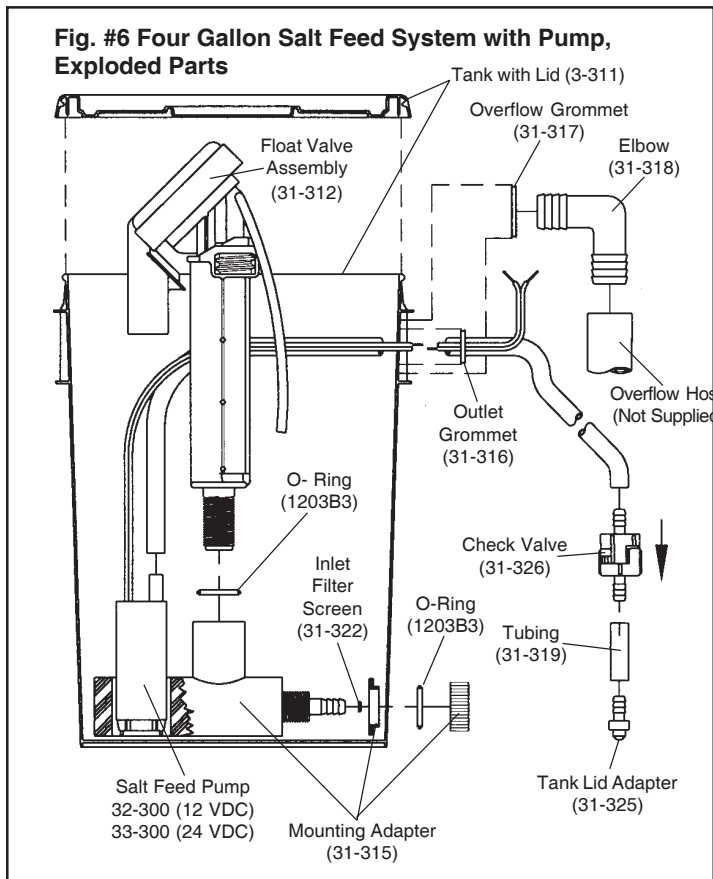
Refer to the Start Up procedure outlined in the Lectra/San MC or electro-scan Manual, as appropriate. The following instructions are supplementary to those instructions.

Note: If utilizing a VacuFlush® toilet, see Application Note (L286).

1. Check plumbing and electrical connections.
2. Turn on water supply.
3. Check for leaks.
4. Add up to 10 lbs. Solar Salt.

No adjustments are necessary with this system.

VacuFlush® is a registered trademark of Sealand Technology, Inc.



LIMITED WARRANTY

Raritan Engineering Company warrants to the original purchaser that this product is free of defects in materials or workmanship for a period of one year from the product's date of purchase. Should this product prove defective by reason of improper workmanship and/or materials within the warranty period, Raritan shall, at its sole option, repair or replace the product.

1. TO OBTAIN WARRANTY SERVICE, Consumer must deliver the product prepaid, together with a detailed description of the problem, to Raritan at 530 Orange St., Millville, N.J. 08332, or 3101 SW 2nd Ave. Ft. Lauderdale, FL 33315. When requesting warranty service, purchaser must present a sales slip or other document which establishes proof of purchase. **THE RETURN OF THE OWNER REGISTRATION CARD IS NOT A CONDITION PRECEDENT OF WARRANTY COVERAGE.** However, please complete and return the owner Registration Card so that Raritan can contact you should a question of safety arise which could affect you.
2. THIS WARRANTY DOES NOT COVER defects caused by modifications, alterations, repairs or service of this product by anyone other than Raritan; defects in materials or workmanship supplied by others in the process of installation of this product; defects caused by installation of this product other than in accordance with the manufacturer's recommended installation instructions or standard industry procedures; physical abuse to, or misuse of, this product. This warranty also does not cover damages to equipment caused by fire, flood, external water, excessive corrosion or Act of God.
3. ANY EXPRESS WARRANTY NOT PROVIDED HEREIN, AND ANY REMEDY FOR BREACH OF CONTRACT WHICH BUT FOR THIS PROVISION MIGHT ARISE BY IMPLICATION OR OPERATION OF LAW, IS HEREBY EXCLUDED AND DISCLAIMED. ALL IMPLIED WARRANTIES SUCH AS THOSE OF MERCHANTABILITY AND OF FITNESS FOR A PARTICULAR PURPOSE, IF APPLICABLE, AS WELL AS ANY IMPLIED WARRANTIES WHICH MIGHT ARISE BY IMPLICATION OF LAW, ARE EXPRESSLY LIMITED TO A TERM OF ONE YEAR. SOME STATES DO NOT ALLOW LIMITATIONS ON HOW LONG A LIMITED WARRANTY LASTS, SO THE ABOVE LIMITATION MAY NOT APPLY TO YOU.
4. UNDER NO CIRCUMSTANCES SHALL RARITAN BE LIABLE TO PURCHASER OR ANY OTHER PERSONS FOR ANY SPECIAL OR CONSEQUENTIAL DAMAGES, WHETHER ARISING OUT OF BREACH OF WARRANTY, BREACH OF CONTRACT, OR OTHERWISE. SOME STATES DO NOT ALLOW THE EXCLUSION OR LIMITATION OF INCIDENTAL OR CONSEQUENTIAL DAMAGES, SO THE ABOVE LIMITATION OR EXCLUSION MAY NOT APPLY TO YOU.
5. No other person or entity is authorized to make any express warranty, promise or affirmation of fact or to assume any other liability on behalf of Raritan in connection with its products except as specifically set forth in this warranty.
6. This warranty gives you specific legal rights, and you may also have other rights which vary from state to state.



530 Orange Street, Millville, NJ 08332 USA
Telephone: 856-825-4900 FAX: 856-825-4409
www.raritaneng.com
Southern Office and Plant:
3101 SW Second Avenue, Fort Lauderdale, FL 33315 USA
Telephone: 954-525-0378 FAX: 954-764-4370