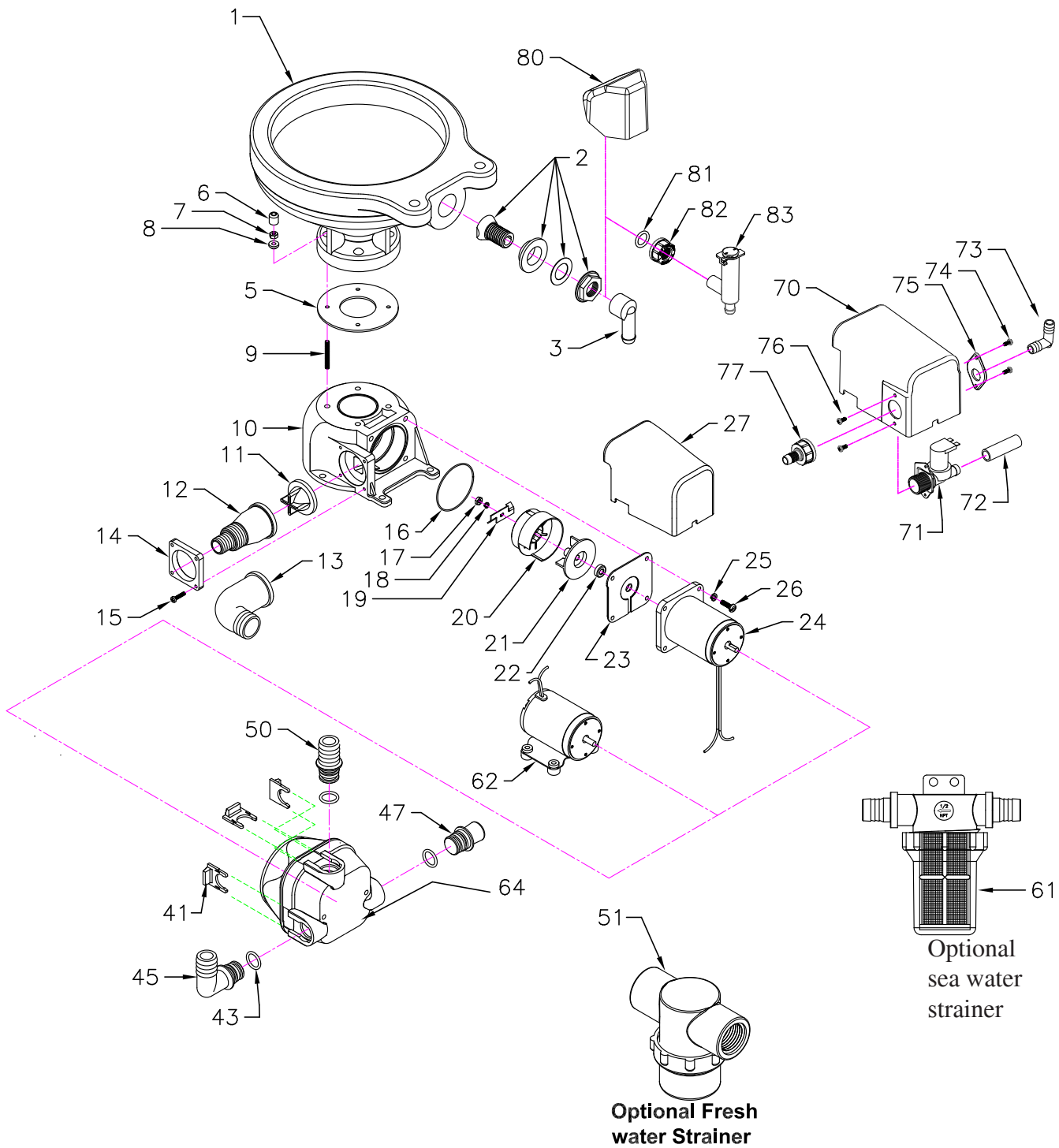


SeaEra QC series Exploded Parts View

EXPLODED PARTS



SeaEra model 162 PARTS LIST

Item	Part#	Description	Additional Parts Included with
			REMOTE MODELS
1	1237W	Marine-size Bowl	
1	1244W	Household-style Bowl	27 161135 Motor Cover
2	1236AW	Bowl Spud Assembly	62 1660*A Intake Motor
3	1236E	Bowl Elbow (sea water only)	166000 Remote Intake Pump, 12V DC
5	1234	Bowl Gasket	166100 Remote Intake Pump, 24V DC
6	VCAP	White Vinyl Cap	166200 Remote Intake Pump, 32V DC
7	1226B	1/4-20 Hex Nut (4)	64 162000W Remote intake pump w/o motor
8	RNI	Shoulder Washer	Additional Parts Included with
9	CH38	Water Solenoid Valve Mounting Bracket	FRESHWATER MODELS
10	161105	Base	70 161145 Motor cover
11	C254	Joker Valve	71 221351* Water solenoid
12	161130	Discharge Fitting	72 PLH-50P Hose, white 1/2", 1 FT.
13	1222AW	90° Discharge Fitting	73 PLE90-50N 1/2" 90 deg Hose Barb Elbow
14	161125	Discharge Mounting Flange	74 221366 Clips,
15	F164	Discharge Mounting Flange Fastener(4)	75 161146 Grommet plate
16	161107	Seal Plate O-Ring	76 F201 Screw M4 x 10mm
17	1108A	Macerator Nut	77 221357 Hose adapter straight
18	M23A	Macerator Lockwasher (5)	80 168006 Vacuum break cover
19	161123	Macerator Blade	81 221360 O-ring
20	161120	Impeller/Macerator Housing	82 25309 Nut 3/4 FNPT
21	161115	Impeller	83 221300 Vacuum breaker assy.
22	31-102	Shaft Seal	
23	161110	Seal Plate	DISCHARGE ASSEMBLY
24	1610*	Discharge Motor	16-24 162012W Discharge Assembly w/o intake pump 12V
25	HW1	Mounting Screw Lockwasher (4)	16-24 162024W Discharge Assembly w/o intake pump 24V
26	F098	1/4 - 20 x 1" hex (4)	16-24 162032W Discharge Assembly w/o intake pump 32V
28	164000BR	Push Button Switch	
41	162420	Fitting Clip (3)	
43	162425	Fitting O-Ring (4)	Repair Kits
45	162405	3/4" Hose Barb - 90° Fitting	DIAPUMPRK Diaphragm Pump Repair Kit
47	162415	Plug Fitting	SEADISRK SeaEra Discharge Repair Kit
50	162410	3/4" Hose Barb - Straight Fitting (2)	
51	190601	Inline Fresh Water Strainer (optional)	* Specify DC Voltage (12, 24, 32)
61	163000	Inline Strainer	