

# SPECIFICATIONS

**Rinse water for Inlet: 1/2" FPT**

Maximum pressure 150 PSI (10 bar)  
 Minimum pressure 5 PSI (0.33 bar)  
 3GPM (11.3 L/min)

**Discharge: 1 1/2" Hose**

Maximum height 15 feet (4.5 meter)

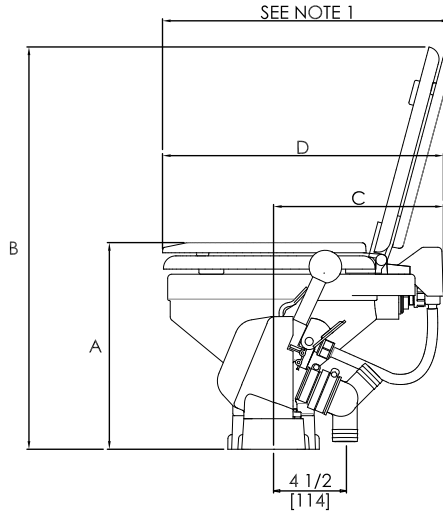
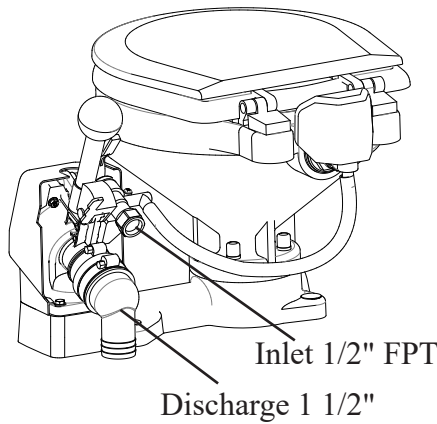
**Average Water consumption per use:**

1 pint (.47L) for liquid, 3/4 G (2.8L) for solid use

**Shipping weights:**

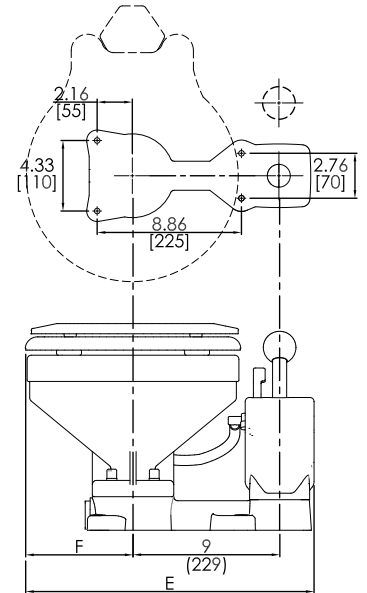
Model 25M000 - 22 Lbs (10 Kg)

Model 25H000 - 26.5 Lbs (12 Kg)



BOWL TYPE	A	B	C	D	E	F
MARINE	13 (330)	24 3/4 (629)	10 3/8 (264)	17 1/4 (438)	17 3/4 (451)	6 1/2 (165)
HOUSEHOLD	13 1/8 (334)	27 7/8 (708)	11 1/2 (292)	20 (508)	18 1/4 (464)	7 (179)

INCHES  
(MM)



NOTE:

1. THE SEAT WILL OPEN WITHIN THE DEPTH OF THE BOWL (D). HOWEVER, IT MAY BE DESIRABLE TO INCREASE THIS ANGLE BY ALLOWING MORE ROOM AT THE BACK OF THE BOWL FOR THE SEAT TO OPEN.  
 2. DIMENSIONS ARE FOR REFERENCE AS VITREOUS CHINA DIMENSIONS MAY VARY +/- 5%.

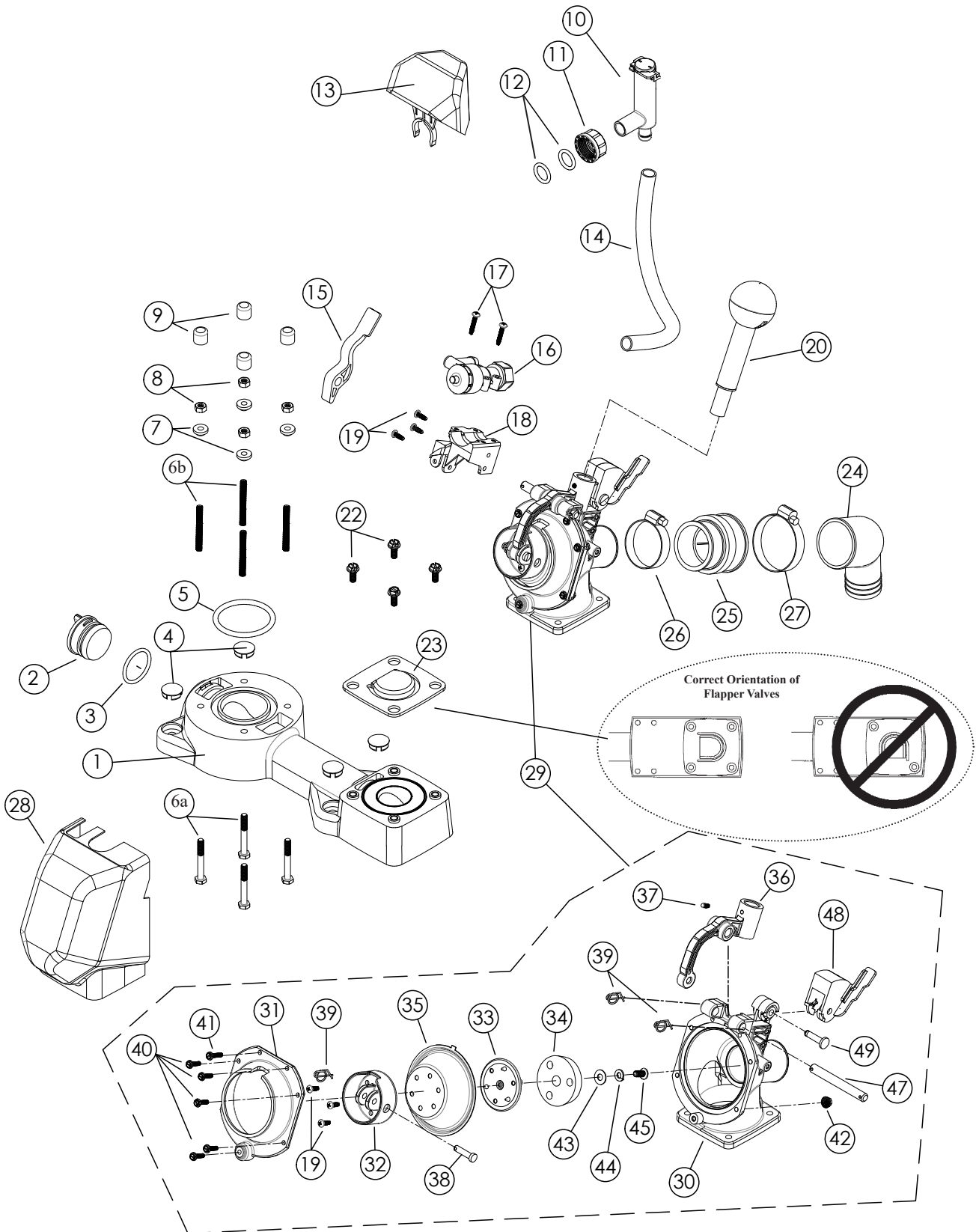
# EXPLODED PARTS VIEW

**PARTS LIST**

Item #	Part#	Description	Item #	Part#	Description
1	25101AW	Base	25	25213	Joker Valve*
2	25102	Base Drain Plug	26	25216	Joker Valve Hose Clamp (Small)
3	25103	Base Drain Plug O-Ring Seal*	27	25217	Joker Valve Hose Clamp (Large)
4	25104	Base Mounting Hole Plugs (4)	28	25214	Pump Cover
5	25105	Bowl Gasket O Ring*	29	25200	Pump Assembly
6a	F081	Bowl Bolt 1/4"-20 x 2 S/S Hex head (for units manufactured before 10/2016)	30	25201	Pump Housing
6b	CH38	1/4" - 20 X 2" Threaded Stud 18-8 SS(4) (for units manufactured after 11/2016)	31	25202	Pump Top
7	RNI	Nylon Shoulder Washer (4)*	32	25203	Diaphragm Piston
8	1226B	Nut: 1/4"-20 S/S (4)	33	25204	Diaphragm Piston Cap
9	VCAP	Vinyl Cap (4)*	34	25206	Discharge Shut Off Seal*
10	221300	Vacuum Breaker Assembly	35	227015	Diaphragm*
11	25309	Nut: Nylon Ribbed	36	25207	Piston Lever SS
12	221360	BSP Nut: O Ring (2)*	37	F352	Socket Set Screw
13	168006	Cover, Vacuum Breaker Assembly	38	25208	Clevis Pin
14	PLH-50P	Hose, 1/2"	39	1210B	Cotter Pin, Rue Ring (3)
15	25215	Inlet Valve Lever	40	F400	Screw: #8-32 X 5/8" S/S (6)
16	25300	Inlet Valve Assembly	41	F401	Screw: #8-32 X 3/4" S/S
17	F409	Screw:Phil. Thread-Forming, #8 X 1" S/S (2)	42	F402	Nut: #8-32 S/S (7)
18	25310	Inlet Valve Bracket	43	F404	Washer: 1/4" Flat S/S
19	F403	Screw:Phil. Thread-Forming,#8 X 1/2" S/S (6)	44	F405	Lock Washer: 1/4" Split S/S
20	25220	Discharge Pump Flush Handle	45	1124	Screw: 1/4-20 x 1/2" S/S
22	F408	Screw: 1/4"-20 X 5/8", S/S (4)	47	25209	Piston Shaft
23	1228F	Flapper Valve*	48	25210	Shut Off Lever
24	25212	Discharge Elbow	49	25211	Shut Off Lever Pin

\* = Included in 2500RK Repair Kit

# EXPLODED PARTS VIEW



**BOWL & SEAT**

- 1236AW Spud Assembly
- 1237W Marine-Size Bowl Assembly
- 1244W White Household-Style Bowl Assembly
- 1238SC Marine-Size Seat & Cover
- 1245SC White Household-Style Seat & Cover

**NOT SHOWN:**

- 25306 Inlet Diaphragm\*
- 25307 Plunger O-ring\*

\* = Included in 2500RK Repair Kit