

CROWN HEAD PARTS LIST

(Quantities are one unless otherwise indicated)

Before ordering, locate required part on exploded parts view to be sure you are ordering the correct part for your CROWN HEAD.

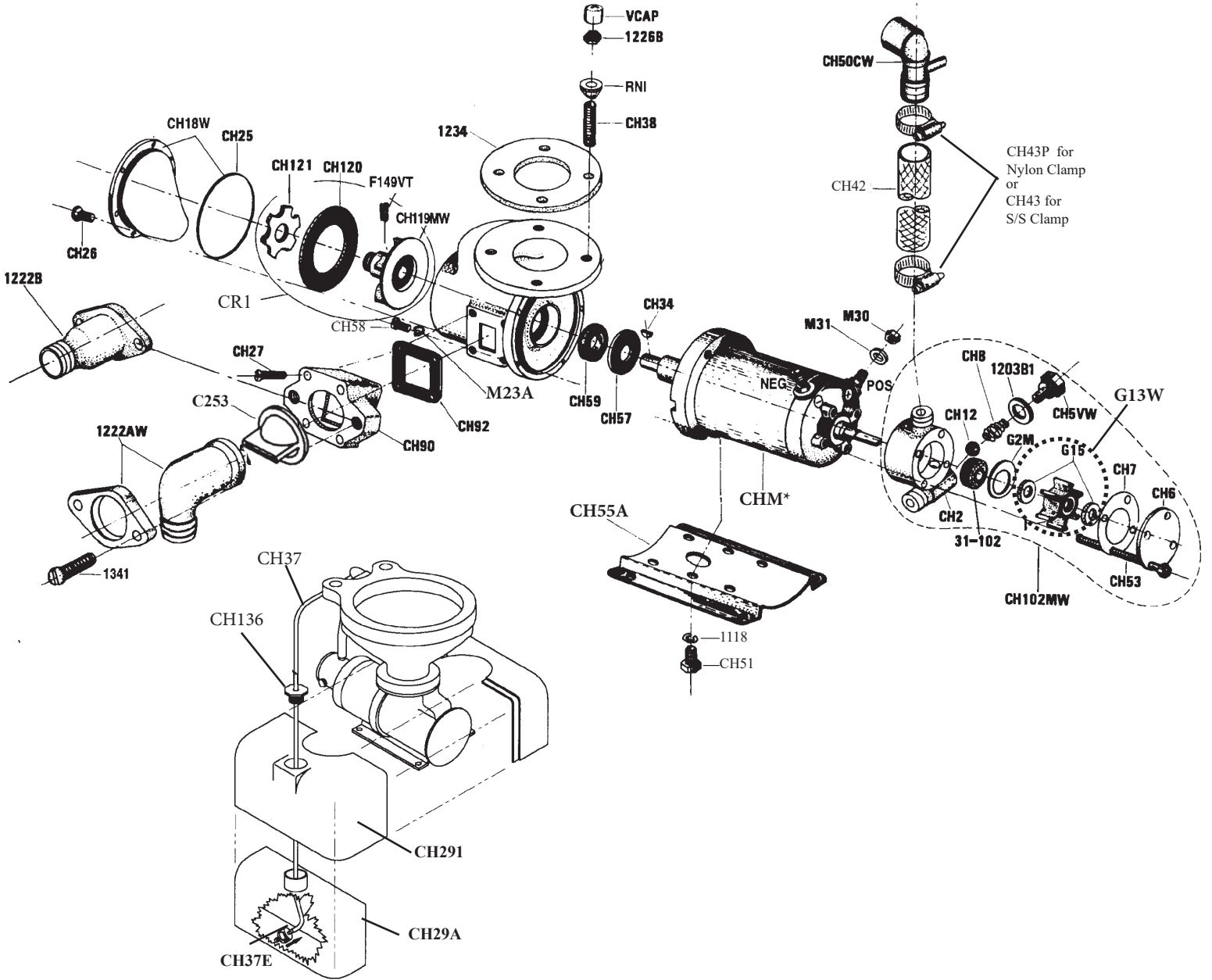
<u>Part No.</u>	<u>Description</u>	<u>Part No.</u>	<u>Description</u>
1118	Lockwasher (4)	F149VT	Set Screw (2)
1203B1	“O” Ring	G15	Impeller Washer (2)
1222AW	Discharge Ell and Flange	G13W	Pump Impeller w/(2) G15
1222B	Straight Discharge	G2M	Impeller Wear Plate
1222BW	Straight Discharge Assembly (Incl. 1222B, CH90, CH92, [2]1115, C253, [4]CH27)	M23A	Lockwasher (4)
1226B	Bowl Mounting Nut (4)	M30	Hex Nut, Brass (2)
1234	Bowl Gasket (fits all Raritan toilets)	M31	Flat Washer, Brass (2)
1341	Discharge Screw (2)	RNI	Nylon Bowl Mounting Washer (4)
31-102	Motor Shaft Seal	VCAP	Vinyl Cap (bowl nut cover)
C253	Joker Valve		
CH102MW	Intake Pump Assembly, complete		
CH119MW	Discharge Impeller Assy. (Incl. CH119M, [2] F149VT)		
CH12	Check Ball		
CH120	Discharge Pump Wall		
CH121	Macerator		
CH136	Siphon Cap for Shroud Bottle		
CH18W	Front Cover (w/“O” ring)		
CH2	Pump Body (w/shaft seal)		
CH25	Front Cover “O” Ring		
CH26	Front Cover Screw (6)		
CH27	Mounting Screw (4)		
CH291	Shroud (2 pcs.)		
CH29A	Shroud Bottle (Concentrate Reservoir)		
CH29A1W	Shroud Assembly, Complete w/bottle, cap and siphon		
CH336W	Siphon Assembly, Complete (Incl. CH136, CH37, CH37E)		
CH34	Woodruff Key		
CH37	Siphon Tubing		
CH37E	Siphon Check Valve		
CH38	Bowl Stud (4)		
CH42	Hose		
CH43	S/S Hose Clamp (2)		
	OR		
CH43P	Nylon Hose Clamps (2)		
CH5VW	Pump Plug, Vented(Incl. 1203B1 O Ring)		
CH50CW	Bowl Elbow w/Siphon Intake		
CH51	Base Screw (4)		
CH52	Rubber Mounting Strip (2) not shown		
CH53	Pump Mounting Screw (4)		
CH55A	Base Plate		
CH57	Slinger		
CH58	End Bell Screw (4)		
CH59	Seal with Stainless Steel Spring		
CH6	Pump Cover Plate		
CH7	Pump Gasket		
CH8	Check Valve Spring		
CH90	Discharge Adapter		
CH92	Adapter Gasket		
CHM*	Motor		
			MISCELLANEOUS RELATED PARTS
		<u>Part No.</u>	<u>Description</u>
		1236AW	Bowl Spud Assembly
		1237W	Marine-size Bowl, Round Top Rim (white only), incl. 1236AW
		1238SC	Slow Close, Seat and Cover for Marine-size Bowl (white only)
		1244W	Household-style Bowl, Oval Top Rim available in white or bone, includes 1236AW
		1245SC	Seat and Cover for Household-style Bowl Slow Close
		163000	In-Line Strainer
		CDS*	Continuous Duty Solenoid Relay
		CHTT9	Hose Clamp for 1 1/2” I.D. Hose
		1PCP22	Cleans Potties 22 oz.
		CSRK	Repair Kit (Centrifugal Discharge Series) Includes: CH25, CH92, 1234, CH12, G13, CH8, CH37E, RNI, CH120, C253, CH59, 31-102, CH7, G15, 1203B1 and CH57
		CDPUMPRK	Crown Head CD Series & CHII Intake Pump Repair Kit (built before 4/95) Includes: 1203B1, CH12, G13, G2M, 31-102, CH7 and G15
		CDDISRK	Crown Head CD Series Discharge Repair Kit; Includes: 1234, CH120, CH57, CH92, C253, CH25 and CH59
		CR1	Discharge Impeller and Macerator Assy. (incl. CH120, CH121, F149VT[2], and CH119MW)
		164000BR	Heavy Duty Push Button, Brass
		RHT4	Inline Check Valve for 1 1/2” I.D. Hose RTC* Raritan Off-delay Timer
		RTCH24DA	Rectified Transformer (for 120 or 240 VAC input)
		SFH	Saniflex Hose
		SL1CC	Super-Lube 1/2 oz. tube
		TD90319	Vented Loop 3/4”
		TD90323	Vented Loop 1 1/2”
		TD90314W	TruDesign AquaValve for 1 1/2” with tails

*Specify Voltage

crown head

EXPLODED PARTS VIEW

CENTRIFUGAL DISCHARGE SERIES



*Specify Voltage