

Established 1958

**RARITAN**

Marine Products for Power & Sail



## Cricket™

Attractive and economical manual marine toilet. Fits in small spaces. A great value.

### Benefits

- Fits in small spaces – ideal for sailboats and small to midsize powerboats
- Easy and quiet operation – no complicated hand or foot valves
- Simple and flexible installation for mounting above or below waterline
- Requires no electricity
- Offers all the features of more expensive toilets
- High quality one-piece white porcelain bowl
- Powerful flushing action -- takes only a few strokes to clear the toilet; also a dry flush
- Telescopic operating handle extends to increase leverage and reduces the amount of force required to operate the toilet
- Can be used with on-board treatment systems (such as the Lectra/San®) and/or holding tanks
- Each unit is assembled by hand, individually tested and backed by Raritan's one-year Limited Warranty and legendary technical support team

### Options

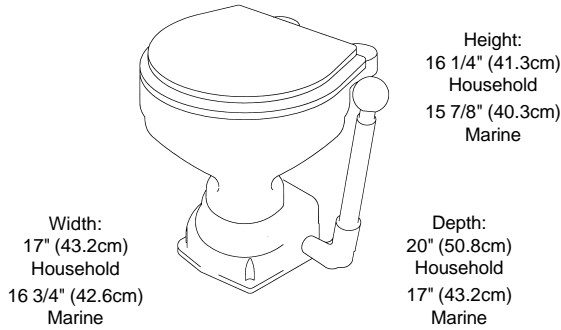
- Choice of full-size household-style bowl or marine-size bowl
- Optional dry flush extension kit

*Raritan manufactures equipment for pleasure boats throughout the world. Products include marine toilets, waste treatment systems, icemakers and water heaters.*

*Committed to the environment and preserving sea life, Raritan designs products to help maintain an environmental balance and ensure the quality of marine waters. In addition, the company has achieved ISO 9001:2000 certification for quality.*

## **Innovation Through Experience**

# Cricket™



Approximate Shipping Weight: 32 lbs (14 kg)

Raritan's **Cricket** is an attractive and economical manual marine toilet. It is constructed of heavy duty marine grade materials for durability and low maintenance and has a porcelain bowl for ease in cleaning. A molded seat with cover is included. A compensator ensures that the volume of incoming rinse water does not exceed the volume of outgoing flush water. The telescoping operating handle extends to increase leverage, reducing the amount of force required to operate the toilet. The handle remains out of the way when retracted. A double-action diaphragm pump provides high volume and low maintenance. A dry flush selection has been included. Plumbing connections are at the back creating a streamlined appearance. Small space requirement makes it ideal for sailboats or small to midsize powerboats. The **Cricket** is a great value in a manual marine toilet at a very competitive price.

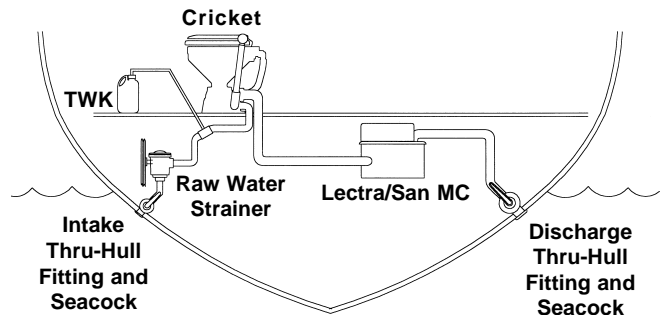
**Additional parts that are needed for installation:** Hose clamps, two stainless steel mounting bolts (minimum 1/4" [6mm]) or lag screws and washers, 1 1/2" (38mm) I.D. sanitation hose, and 3/4" (19mm) I.D. sanitation hose.

## Models

Part #	Description
1400	Cricket Manual Marine Toilet, Marine-size Bowl
1401	Cricket Manual Marine Toilet, Household-style Bowl
1490W	Dry Flush Extension Kit
CKRK	Overhaul Kit

## Sample Installation

The **Cricket** marine toilet can be installed above or below the waterline. See Owner's Manual for specific instructions. Be sure all thru-hull fittings have accessible seacocks for safety and to simplify maintenance.



### For more information contact:

Raritan Engineering Company Inc.  
530 Orange Street, PO Box 1157  
Millville, NJ 08332, USA  
Telephone: 856-825-4900  
FAX: 856-825-4409  
e-mail: info@raritaneng.com  
[www.raritaneng.com](http://www.raritaneng.com)

Southern Plant and Office  
3101 SW 2nd Avenue  
Ft. Lauderdale, FL 33315 USA  
Telephone: 954-525-0378  
FAX: 954-764-4370

L1004 0203kgs

**Innovation Through Experience**

