



PHII and PHEII



Mid-priced, high quality, non-macerating manual or electric toilet. Reliable, high-quality design uses sea or lake water.

Benefits

- **Good choice for sailboats and mid-size powerboats**
- **Simple design means economical, trouble-free quiet operation**
- **Powerful flushing action**
- **Simple and flexible installation for mounting above or below waterline**
- **Easy to clean and maintain**
- **Dry pumping is easier because air vent reduces back pressure**
- **Electric model can be switched to manual**
- **Double action piston pump simultaneously draws new flush water as it discharges the wastewater**
- **Can be used with on-board treatment systems (such as the Lectra/San®) and/or holding tanks**
- **Each unit is assembled by hand, individually tested and backed by Raritan's one-year Limited Warranty and legendary technical support team**

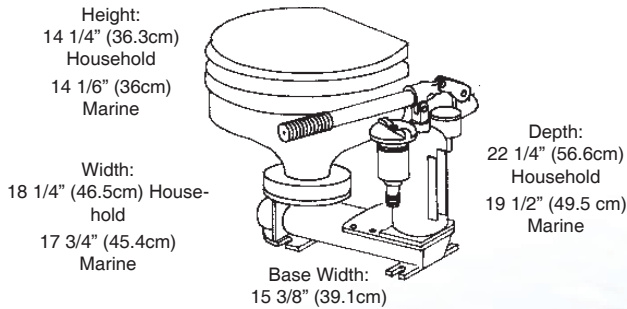
Options

- **Easy to convert from manual to electric toilet with upgrade kit.**
- **Electric models available for 12, 24, 32V DC or 120/240V AC**
- **Choice of full-size household-style or marine-size white porcelain bowl**
- **Can be mounted for pumping on either left or right**

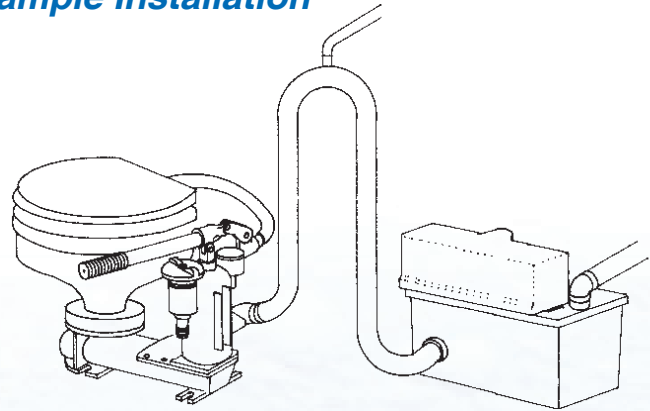
Raritan products are chosen by powerboat, sailboat, houseboat, and RV owners and manufacturers the world over for their dependability, environmental responsibility, simplicity of installation, operation, and maintenance. The product line includes house-hold style toilets, marine toilets, marine sanitation devices and systems, cleaning products, icemakers, water heaters, and rudder angle indicators.

To view our complete line as well as obtain installation and servicing guides: visit www.raritaneng.com

PHII & PHEII



Sample Installation



PHII and a Lectra/San MC

The PHII and PHEII both operate by using a double action piston pump that simultaneously draws new flush water as it discharges the wastewater. By using raw water for flushing, on board water supplies can be reserved for essential freshwater use.

The PHII pump has a unique, easily replaceable seal cartridge. A simple quarter turn of the inlet water valve control knob allows the bowl to be pumped dry without using additional water. This provides the user with the option of emptying the bowl while in heavy seas. A special air vent reduces back pressure.

Electric PHEII's operate by the push of a button and should be installed with a momentary or Push Button Switch (PBS) and a Continuous Duty Solenoid (CDS). In the case of power loss, the PHEII comes with a lever handle for temporary manual operation. Manual PHII's can be easily converted to electric operation with a PHECKII Conversion Kit.

Additional parts that are needed for installation: hose clamps, four stainless steel mounting bolts (minimum 1/4" [6mm]) or lag screws and washers, 1 1/2" (38mm) I.D. sanitation hose, and 3/4" (19mm) I.D. sanitation hose. If installing a PHEII you will also need fuses or circuit breakers and wiring.

Sample of Models

Part #	Description
PHII	PHII, Manual Operation, White marine-size bowl
PHHBII	PHII, Manual Operation, White household-style bowl
PHEII12	PHEII, Electric Operation, White marine-size bowl, 12V
PHEHBII12	PHEII, Electric Operation, White household-style bowl, 12V
PHECKII12	PHII, Electric Conversion Kit (manual to electric) 12V

Approximate Shipping Weight: 30-41 lbs (14-19 kg)

For more information contact:

Raritan Engineering Company Inc.
530 Orange Street
Millville, NJ 08332, USA
Telephone: 856-825-4900
Fax: 856-825-4409
e-mail: info@raritaneng.com

Southern Plant and Office
3101 SW 2nd Avenue
Ft. Lauderdale, FL 33315, USA
Telephone: 954-525-0378
Fax: 954-764-4370



raritaneng.com