



RARITAN

The Most Dependable Name on the Water



RAW WATER STRAINER

The Raw Water Strainer is an inexpensive installation aid that protects an engine, generators, air conditioning systems and other equipment that require external water.

Benefits

- Inexpensive protection for expensive parts
- Easy to install and maintain
- High capacity raw water strainer
- 15 mesh plastic removable filter for easy cleaning
- Easily visible, clear, high-strength body
- Removable filter for easy cleaning
- Convenient 1 1/2" (3.8cm) connections



IN-LINE STRAINER

The In-Line Strainer protects marine equipment and reduces toilet odors caused by sea water particles.

Benefits

- Inexpensive protection for expensive parts
- Easy to install and maintain
- Clear, high-strength plastic bowl
- Convenient 1/2" female NPT connections
- 20 mesh plastic removable filter for easy cleaning
- Reduces toilet odors caused by sea water particles
- Can be mounted away from pumps for convenient access
- Compact size

Raritan products are chosen by powerboat, sailboat, houseboat, and RV owners and manufacturers the world over for their dependability, environmental responsibility, simplicity of installation, operation, and maintenance. The product line includes house-hold style toilets, marine toilets, marine sanitation devices and systems, cleaning products, icemakers, water heaters, and rudder angle indicators.

To view our complete line as well as obtain installation and servicing guides: visit www.raritaneng.com

RAW WATER STRAINER

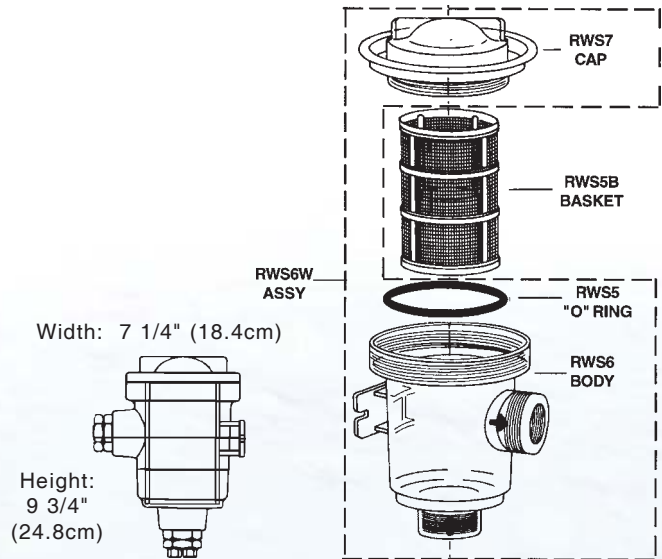
The Raritan Raw Water Strainer (RWS) is used to protect engines, generators, air conditioning systems and any other equipment that require external water for cooling. It can also be used with sanitation systems to provide protection against clogged and obstructed passageways in intake lines that can result in unpleasant odors and diminished effectiveness in operation.

The Raw Water Strainer utilizes a high capacity, clear plastic body that enables the user to detect accumulation in the filter.

Both of the Raw Water Strainer's outlets accept standard plastic fittings with 1/2" (3.8cm) pipe threads.

Installation

The RWS should be installed where it can be secured to a bulkhead or other solid area. Locate the RWS above the waterline, if possible.



Approximate Shipping Weight: 3 lbs (1.4 kg)

NOTE: Units ordered before May, 1992 use a slightly different Body (RWS1) and Cap (RWS2) which are not interchangeable with RWS6 and 7. If replacing an RWS1 or 2, you must purchase a RWS6W.

IN-LINE STRAINER

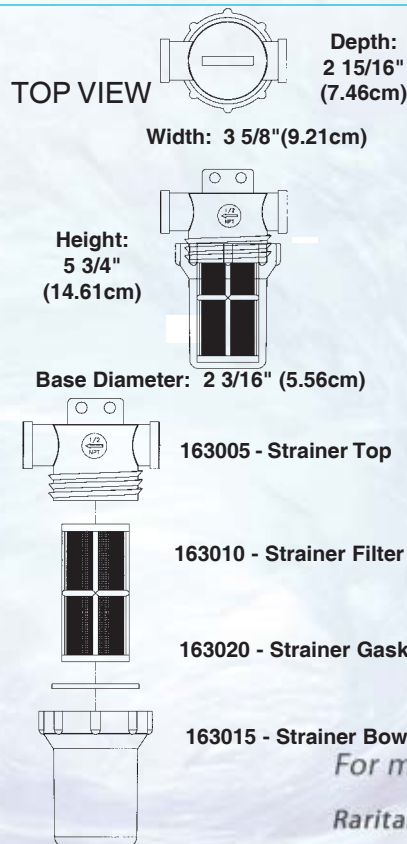
Raritan's In-Line Strainer (#163000) removes debris from sea water which causes pumps to fail or operate inefficiently. The In-Line Strainer also helps eliminate unpleasant toilet odors by removing particles from the sea water that cause odor.

The In-Line Strainer bowl is made of durable clear plastic that enables the user to detect accumulation in the strainer filter. It can be mounted remotely for easy access.

Install in an easily accessible location, above the waterline if possible. The arrows on the In-Line Strainer indicate the direction of flow.

Ports: 1/2" female NPT
 Pressure Rating: 150 PSI (1034kPa) @ 70°F (22C)
 100PSI (689kPa) @ 125°F (52C)

Approximate Shipping Weight: 1 lb (.5 kg)



For more information contact:

Raritan Engineering Company Inc.
 530 Orange Street
 Millville, NJ 08332, USA
 Telephone: 856-825-4900
 Fax: 856-825-4409
 e-mail: info@raritaneng.com

Southern Plant and Office
 3101 SW 2nd Avenue
 Ft. Lauderdale, FL 33315, USA
 Telephone: 954-525-0378
 Fax: 954-764-4370

raritaneng.com

