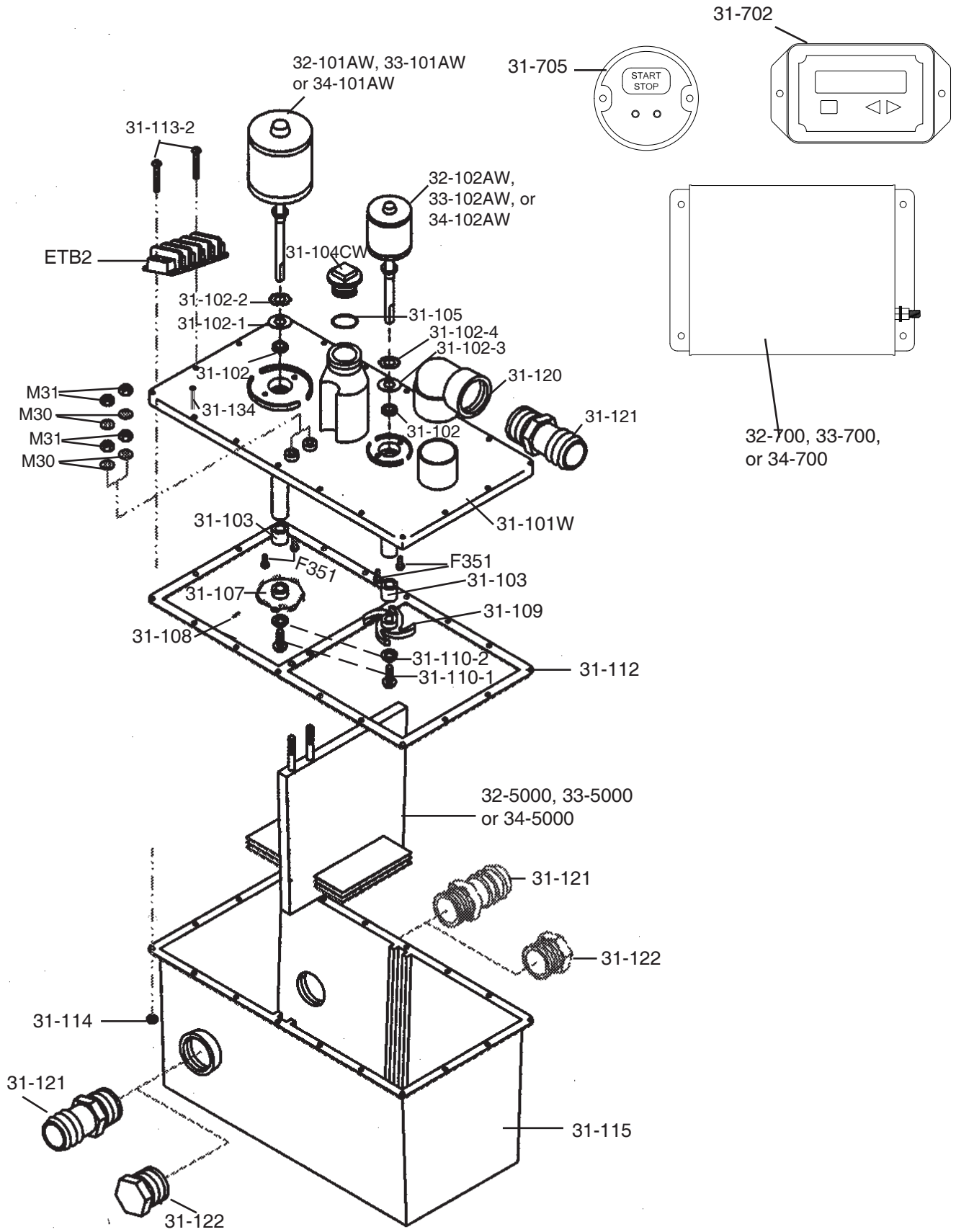


EXPLODED PARTS VIEW



TREATMENT UNIT

Part No.	Description
32-102AW	Mixer Motor 2 1/2" Dia. 12 VDC
33-102AW	Mixer Motor 2 1/2" Dia. 24 VDC
34-102AW	Mixer Motor 2 1/2" Dia. 32 VDC
NOTE: All motors include 31-102, Seal washer, Retaining ring and 31-103.	
31-121	Hose Fitting (2)
31-120	Discharge Elbow 90°
M30	Electrode Nut 1/4-20 Brass (4)
M31	Electrode #14 Brass flat washer (4)
31-103	Motor Shaft Bushing (2)
31-106	10-32x7/8"RHMS,S/S (4)
31-109	Mixer Impeller
31-110-1	Impeller Bolt, 12-24x5/8", S/S (2)
31-110-2	Impeller Lock Washer, #12, S/S (2)
31-113-2	Terminal Block Bolt (2)
31-134	Cover Hold Down Screw 10-32 x 1 Hex(16)
31-114	Cover Hold Down Nut, 10-32 (18)
31-115	Treatment Tank
31-122	Intake Plug
32-5000	Electrode Pack 12 VDC
33-5000	Electrode Pack 24 VDC
34-5000	Electrode Pack 32 VDC
31-112	Cover Gasket
31-108	Macerator Set Screw, 8-32x3/16", S/S
31-107	Macerator Impeller
31-101W	Treatment Cover
31-104CW	Crossover Plug
31-105	O-Ring
31-102	Motor Shaft Seal (2)
31-102-1	Macerator Seal Washer
31-102-2	Macerator Retaining Ring
31-102-3	Mixer Seal Washer
31-102-4	Mixer Retaining Ring
32-101AW	Macerator Motor 3" Dia. 12 VDC
33-101AW	Macerator Motor 3" Dia. 24 VDC
34-101AW	Macerator Motor 3" Dia. 32 VDC
ETB2	Terminal Block

31-3001	Salt tank unit complete, two gallon (not shown)
31-3005	Four gallon salt feed tank (not shown)
32-3005	Four gallon salt feed tank w/12 volt pump (not shown)
33-3005	Four gallon salt feed tankw/24 volt pump (not shown)
32-7000	12 V DC Treatment Unit - No Control Unit, System Status Panel or LCD Display
33-7000	24 V DC Treatment Unit - No Control Unit, System Status Panel or LCD Display
34-7000	32 V DC Treatment Unit - No Control Unit, System Status Panel or LCD Display

CONTROL

Part No.	Description
31-618	Cable for LCD and System Status Panel (not shown) 16'
31-702	LCD Display
31-705	System Status Panel
32-700	Control Unit 12V
33-700	Control Unit 24V
34-700	Control Unit 32V
WAES01T	Wire Harness (not shown)

PARTS BAG (packed with each new unit)

Part No.	Description
31-111	Cable Clamp 1/2 x 1/2
31-717	Insulating Bushing (4)
ETP1	Terminal Protector Red
F110	Screw 6 x 1/2 Phil Pad HD(4)to mount Display and Start/Stop button

ESTRK (EST Repair Kit)

Part No.	Description
31-102	Motor Shaft Seal (2)
31-102-1	Macerator Seal Washer
31-102-2	Macerator Retaining Ring
31-102-3	Mixer Seal Washer
31-102-4	Mixer Retaining Ring
31-103	Motor Shaft Bushing (2)
31-105	O-Ring
F351	10-32x7/8" w/ O-ring (4)
31-112	Cover Gasket
31-113-2	Terminal Block Bolt (4)
31-114	Cover Hold Down Nut, 10-32 (4)
SL1CC	Super Lube

NOTE: We recommend 3M 4000 UV to seal the motor hold down bolts (part# F351)

() Indicates Total pieces required