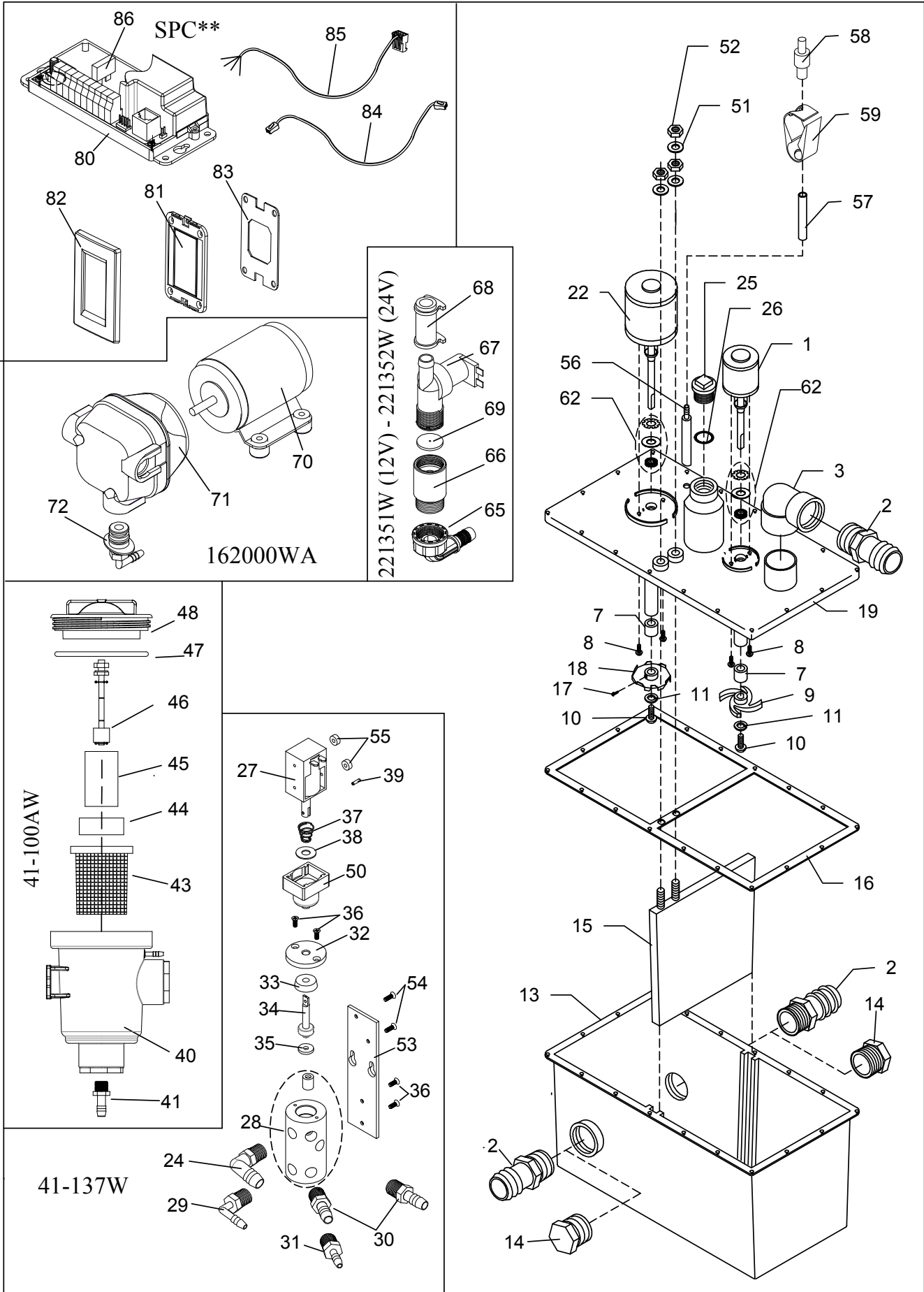


# EXPLODED PARTS



**PURASAN PARTS LIST**

<u>Item</u>	<u>Part #</u>	<u>Description</u>			
1	32-102AW	Mixer Motor 2 1/2" Dia. 12 V DC	38	F203	Washer 5/16" x 3/4"
1	33-102AW	Mixer Motor 2 1/2" Dia. 24 VDC	39	F233	Spring Roll Pin
(1)		includes shaft seals and bushing for mixer motor)	50	41-187	Shaft Boot
2	31-121	Hose Fitting (2)	53	41-152	Base Plate
(Not shown)		90° hose fitting (PLA401)	54	F232	6-32 x 7/16" Flat head mach. screw (2)
3	31-120	Discharge Elbow 90°	55	F231	Spacer 6" x 5/32"
6	31-134	Cover Hold down Bolt, 10-32 x 1" (16)	<b>TABLET DISPENSER (41-100AW)</b>		
		(not shown)	40	41-130A	Dispenser Body.
7	31-103	Motor Shaft Bushing (2) (see 62)	41	41-177	Adapter 1/2"NPT x 1/2" barb
8	31-106	Motor Hold down Bolt, 10-32x1", S/S (4)	43	41-153	Dispenser Basket
9	31-109	Mixer Impeller	44	41-135A	Purasan Tablets (sold separately)
10	31-110-1	Impeller Bolt, 12-24 x 5/8", S/S (2)	45	41-179	Float extension pipe
11	31-110-2	Impeller Lock Washer, #12, S/S (2)	46	41-178W	Float sensor
12	31-114	Cover Hold down Nut, 10-32 (18)	47	RWS5A	"O" Ring
13	31-115PS	Treatment Tank	48	41-131M	Dispenser Cap (machined)
14	31-122	Intake Plug	85	41-505	Cable for Float sensor
15	41-102	Tank Divider			
16	31-112	Cover Gasket	<b>WATER Valve (221351W, 12V - 221352W, 24V)</b>		
17	31-108	Macerator Set Screw	65	221356W	Inlet hose adapter
18	31-107	Macerator Impeller	66	PX50W	Double Check Valve assembly
19	41-101W	Treatment Cover (includes 62,56, 25,26)	67	221351	Water Solenoid 12V
22	33-101AW*	Macerator Motor for 12 V DC unit	67	221352	Water Solenoid 24V
22	34-101AW*	Macerator Motor for 24 V DC	68	221335	1/2" Hose
(22)		includes shaft seal and bushing for Macerator motor	69	41-157	Metering washer
25	31-104CW	Crossover Plug with O-ring			
26	31-105	O-Ring	<b>AIR PUMP for tablet dispenser (162000WA)</b>		
51	M31	#14 Brass Flat Washer (4)	70	166024A **	Motor
52	M30	1/4"-20 Brass Nut (4)	71	162000W	Intake Pump Assembly,air pump
56	31-325A	Adapter Tank Lid	72	162415A	Plug with barbed fitting
57	221335	Hose	<b>DIAPUMPRK Diaphragm Pump Repair Kit</b>		
58	41-170	Tank check valve			
59	31-304C	Hose clamp			
62	ESTRK	EST/PST Repair Kit includes following	<b>CONTROLS</b>		
(Not Shown)	31-102	Motor Shaft Seal(2)	80	SPC	Purasan Control
	31-102-1	Macerator Seal Washer	81	41-500A	Wall Panel circuit board
	31-102-2	Macerator Retaining Ring	82	221524	ME: wall panel cover,white
	31-102-3	Mixer Seal Washer	83	221525	ME; wall panel gasket
	31-102-4	Mixer Retaining Ring	84	31-618	Cable for SPC wall panel
	31-103	Motor Shaft Bushing(2)	86	FUSE10	ATO fuse 10A
	31-105	O-Ring			
	31-106	10-32x 7/8" Screws (4)			
	31-112	Cover Gasket	<b>OTHER (Not shown)</b>		
<b>DRAIN MANIFOLD ASSEMBLY(41-137W)</b>			41-135A	Purasan Tablets (Refill)	
24	41-151A	Adapter 1/4" x 1/2" elbow with check valve	42-1000A	Treatment Unit Complete 12V	
27	41-145	Pull Solenoid	43-1000A	Treatment Unit Complete 24V	
28	41-137	Drain Manifold assy.(with check valve)	PSTDCEX	Purasan Dual Control	
29	41-151B	Adapter 1/4" x 1/4" elbow with check valve			
30	41-141	Adapter 1/4" NPT x 1/2" barbed			
31	PLA3	1/4" Barbed x 1/4" NPT Adapter			
32	41-139	Cap, manifold			
33	41-138C	1/4" x 3/4" U cup seal	*NOTE: 12VDC units are equipped with a 24VDC Macerator Motor, 24VDC units are equipped with a 32VDC Macerator Motor.		
34	41-138 B	Plunger			
35	41-138A	Washer for plunger			
36	F204	6-32 x 3/8" Flat head mach. screw(4)			
37	LWS	Spring	**NOTE: All models use a 24VDC Air Pump Motor		