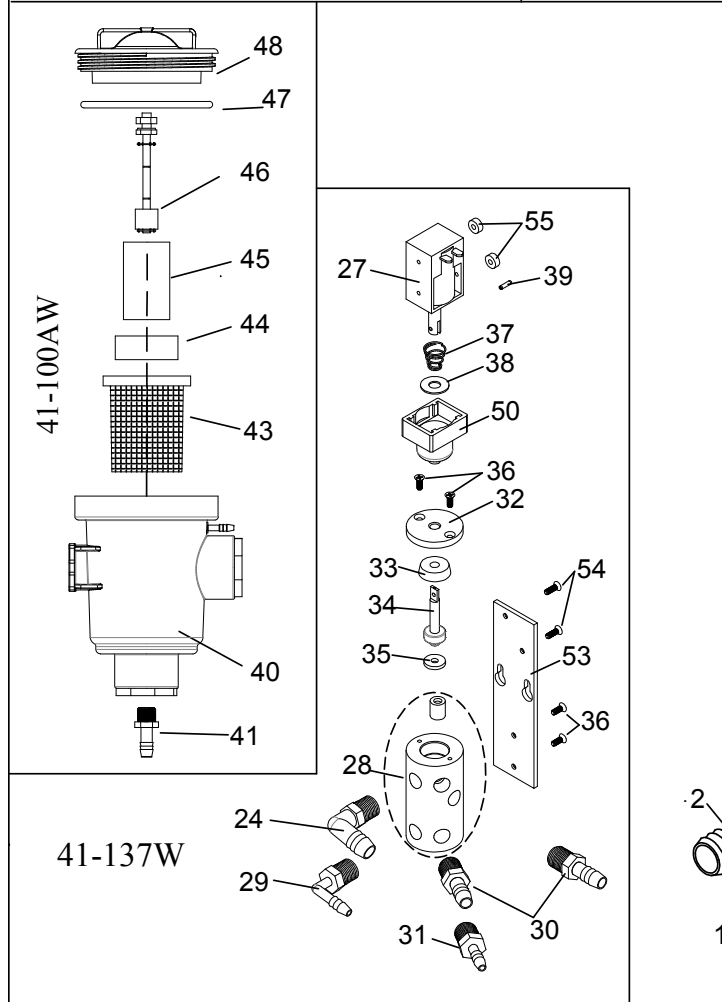
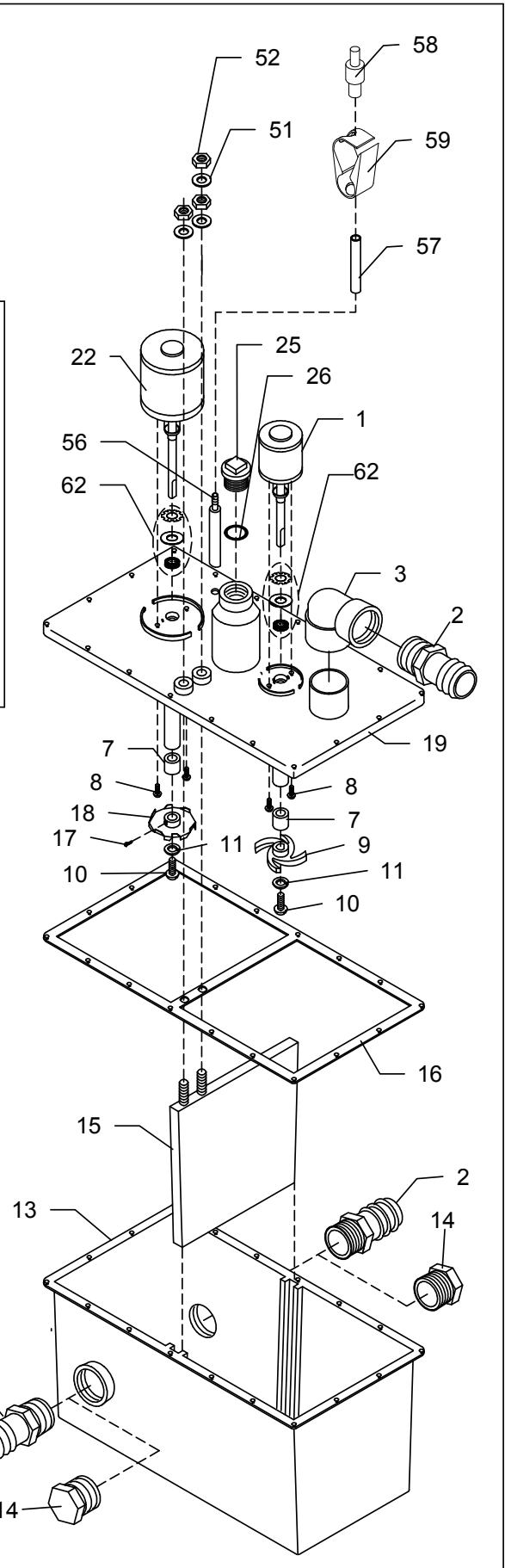
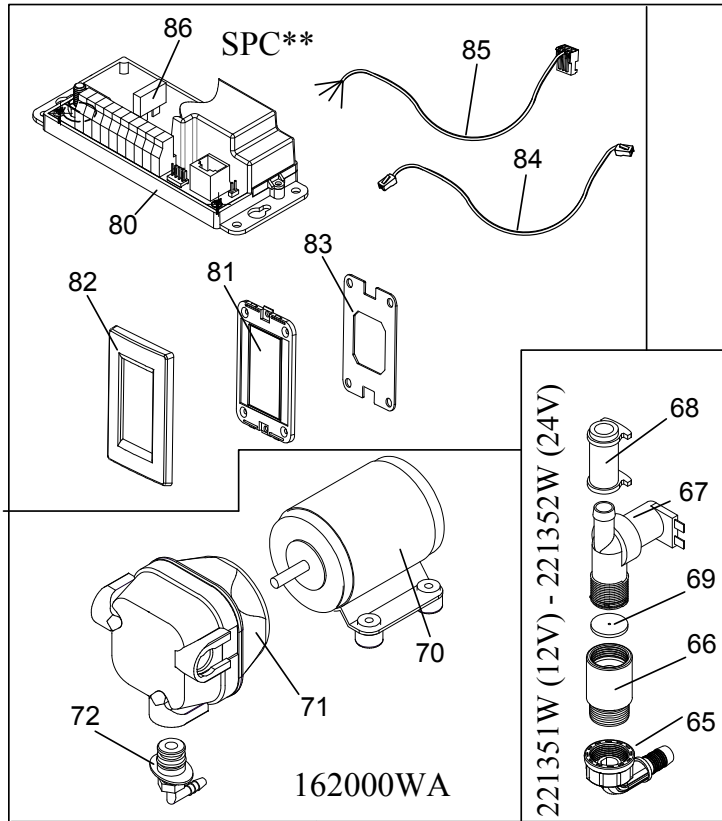


EXPLODED PARTS



PURASAN EX PARTS LIST

Item	Part #	Description
1	32-102AW	Mixer Motor 2 1/2" Dia. 12 V DC
1	33-102AW	Mixer Motor 2 1/2" Dia. 24 VDC (1) includes shaft seals and bushing for mixer motor)
2	31-121	Hose Fitting (2) (Not shown) 90° hose fitting (PLA401)
3	31-120	Discharge Elbow 90°
6	31-134	Cover Hold down Bolt, 10-32 x 1" (16) (not shown)
7	31-103	Motor Shaft Bushing (2) (see 62)
8	31-106	Motor Hold down Bolt, 10-32x1", S/S (4)
9	31-109	Mixer Impeller
10	31-110-1	Impeller Bolt, 12-24 x 5/8", S/S (2)
11	31-110-2	Impeller Lock Washer, #12, S/S (2)
12	31-114	Cover Hold down Nut, 10-32 (18)
13	31-115PS	Treatment Tank
14	31-122	Intake Plug
15	41-102	Tank Divider
16	31-112	Cover Gasket
17	31-108	Macerator Set Screw
18	31-107	Macerator Impeller
19	41-101W	Treatment Cover (includes 62,56, 25,26)
22	33-101AW*	Macerator Motor for 12 V DC unit
22	34-101AW*	Macerator Motor for 24 V DC (22) includes shaft seal and bushing for Macerator motor
25	31-104CW	Crossover Plug with O-ring
26	31-105	O-Ring
51	M31	#14 Brass Flat Washer (4)
52	M30	1/4"-20 Brass Nut (4)
56	31-325A	Adapter Tank Lid
57	221335	Hose
58	41-170	Tank check valve
59	31-304C	Hose clamp
62	ESTRK	EST/PST Repair Kit includes following (Not Shown) 31-102 Motor Shaft Seal(2) 31-102-1 Macerator Seal Washer 31-102-2 Macerator Retaining Ring 31-102-3 Mixer Seal Washer 31-102-4 Mixer Retaining Ring 31-103 Motor Shaft Bushing(2) 31-105 O-Ring 31-106 10-32x 7/8" Screws (4) 31-112 Cover Gasket
DRAIN MANIFOLD ASSEMBLY(41-137W)		
24	41-151A	Adapter 1/4" x 1/2" elbow with check valve
27	41-145	Pull Solenoid
28	41-137	Drain Manifold assy.(with check valve)
29	41-151B	Adapter 1/4" x 1/4" elbow with check valve
30	41-141	Adapter 1/4" NPT x 1/2" barbed
31	PLA3	1/4" Barbed x 1/4" NPT Adapter
32	41-139	Cap, manifold
33	41-138C	1/4" x 3/4" U cup seal
34	41-138 B	Plunger
35	41-138A	Washer for plunger
36	F204	6-32 x 3/8" Flat head mach. screw(4)
37	LWS	Spring
38	F203	Washer 5/16" x 3/4"
39	F233	Spring Roll Pin
50	41-187	Shaft Boot
53	41-152	Base Plate
54	F232	6-32 x 7/16" Flat head mach. screw (2)
55	F231	Spacer 6" x 5/32"
TABLET DISPENSER (41-100AW)		
40	41-130A	Dispenser Body.
41	41-177	Adapter 1/2"NPT x 1/2" barb
43	41-153	Dispenser Basket
44	41-135A	Purasan Tablets (sold separately)
45	41-179	Float extension pipe
46	41-178W	Float sensor
47	RWS5A	"O" Ring
48	41-131M	Dispenser Cap (machined)
85	41-505	Cable for Float sensor
WATER Valve (221351W, 12V - 221352W, 24V)		
65	221356W	Inlet hose adapter
66	PX50W	Double Check Valve assembly
67	221351	Water Solenoid 12V
67	221352	Water Solenoid 24V
68	221335	1/2" Hose
69	41-157	Metering washer
AIR PUMP for tablet dispenser (162000WA)		
70	166024A **	Motor
71	162000W	Intake Pump Assembly,air pump
72	162415A	Plug with barbed fitting
DIAPUMPRK Diaphragm Pump Repair Kit		
CONTROLS		
80	SPC	Purasan Control
81	41-500A	Wall Panel circuit board
82	221524	ME: wall panel cover,white
83	221525	ME; wall panel gasket
84	31-618	Cable for SPC wall panel
86	FUSE10	ATO fuse 10A
OTHER (Not shown)		
41-135A		Purasan Tablets (Refill)
42-1000A		Treatment Unit Complete 12V
43-1000A		Treatment Unit Complete 24V
PSTDCEX		Purasan Dual Control
*NOTE: 12VDC units are equipped with a 24VDC Macerator Motor, 24VDC units are equipped with a 32VDC Macerator Motor.		
**NOTE: All models use a 24VDC Air Pump Motor		